

**LEIF MEJLBRO**

**COMPLEX FUNCTIONS EXAMPLES  
C-5**

**LAURENT SERIES**



DOWNLOAD FREE TEXTBOOKS AT  
**BOOKBOON.COM**  
NO REGISTRATION NEEDED

Leif Mejlbro

---

# Complex Functions Examples c-5

Laurent Series

---

---

Complex Functions Examples c-5 – Laurent Series  
© 2008 Leif Mejlbro & Ventus Publishing ApS  
ISBN 978-87-7681-389-5

# Contents

	<b>Introduction</b>	<b>5</b>
<b>1.</b>	<b>Some theoretical background</b>	<b>6</b>
<b>2.</b>	<b>Laurent series</b>	<b>9</b>
<b>3.</b>	<b>Fourier series</b>	<b>46</b>
<b>4.</b>	<b>Laurent series solution of differential equations</b>	<b>49</b>
<b>5.</b>	<b>Isolated boundary points</b>	<b>83</b>
<b>6.</b>	<b>The conditions around the point at <math>\infty</math></b>	<b>96</b>

Please click the advert

## WHAT'S MISSING IN THIS EQUATION?

You could be one of our future talents

### MAERSK INTERNATIONAL TECHNOLOGY & SCIENCE PROGRAMME

Are you about to graduate as an **engineer** or **geoscientist**? Or have you already graduated?  
If so, there may be an exciting future for you with A.P. Moller - Maersk.



**MAERSK**

[www.maersk.com/mitas](http://www.maersk.com/mitas)

## Introduction

This is the fifth book containing examples from the *Theory of Complex Functions*. In this volume we shall consider the Laurent series, which are, roughly speaking, complex power series in which we also allow negative exponents. We shall only consider the the series and their relationship to the general theory, and finally the technique of solving linear differential equations with polynomial coefficients by means of Laurent series. The importance of these Laurent series will be shown in the following books, where we first introduce the residues in the sixth book, and then examples of applications in the seventh book. Thus these three books, the present one and the two following, form together make up an important part of the *Theory of Complex Functions*.

Even if I have tried to be careful about this text, it is impossible to avoid errors, in particular in the first edition. It is my hope that the reader will show some understanding of my situation.

Leif Mejlbro  
12th June 2008

## 1 Some theoretical background

**Definition 1.1** We define a Laurent series expanded from the point  $z_0 \in \mathbb{C}$  a series of the form

$$\sum_{n=-\infty}^{+\infty} a_n (z - z_0)^n := \sum_{n=0}^{+\infty} a_n (z - z_0)^n + \sum_{n=1}^{+\infty} a_{-n} (z - z_0)^{-n}.$$

The domain of convergence of the Laurent series is defined as the intersection of the domains of convergence of the series on the right hand side of the equation above.

If  $a_{-n} = 0$  for every  $n \in \mathbb{N}$ , then the Laurent series is just an usual power series, which domain of convergence is of one of the following three types:

the empty set, an open disc of centrum  $z_0$ , all of  $\mathbb{C}$ .

If there exists an  $n \in \mathbb{N}$ , such that  $a_{-n} \neq 0$ , then the domain of convergence is either

the empty set, or an annulus  $\{z \in \mathbb{C} \mid r < |z - z_0| < R\}$ .

Please click the advert



CHALLENGE  
YOURSELF

[WWW.STUDYINSWEDEN.SE](http://WWW.STUDYINSWEDEN.SE)

Today's job market values ambitious, innovative, perceptive team players. Swedish universities foster these qualities through a forward-thinking culture where you're close to the latest ideas and global trends.

**Si.**  
Swedish Institute

Whatever your career goals may be, studying in Sweden will give you valuable skills and a competitive advantage for your future. [www.studyinsweden.se](http://www.studyinsweden.se)

If  $R = +\infty$ , then the domain is the complementary set of a closed disc, and if  $r = 0$ , then the domain is either an open disc with its centrum removed, or the complex plan with  $z_0$  removed,  $\mathbb{C} \setminus \{z_0\}$ . The Laurent series expansion of an analytic function  $f(z)$  is always convergent in an annulus of centrum  $z_0$ , where this annulus does not contain any singularity of  $f(z)$ , i.e.  $f(z)$  is analytic in all of the annulus. The most important case, however, is when the inner radius is  $r = 0$ , i.e. when we consider a disc with only its centrum removed, or the complex plane with the point of expansion  $z_0$  removed.

When we compute the coefficients of a Laurent series in an annulus we may use the following theorem, from which is also follows that if the annuli are as large as possible, given the point of expansion  $z_0$ , then the Laurent series expansions are different in each of the possible annuli.

**Theorem 1.1** LAURENT'S THEOREM. *Assume that  $f(z)$  is analytic in an open annulus*

$$\{z \in \mathbb{C} \mid r < |z - z_0| < R\}.$$

*Then the corresponding Laurent series in this annulus is uniquely determined by*

$$f(z) = \sum_{n=-\infty}^{+\infty} a_n (z - z_0)^n,$$

where

$$a_n = \frac{1}{2\pi i} \oint_C \frac{f(z)}{(z - z_0)^{n+1}} dz, \quad \text{for every } n \in \mathbb{Z},$$

and where  $C$  is any simple, closed curve separating  $|z - z_0| = r$  from  $|z - z_0| = R$ , run through in the positive sense of the plane.

*The series is uniformly convergent in every closed and bounded subset of the annulus.*

It was pointed out in *Complex Functions c-4* that the Laurent series may be used in the theory of Fourier series. However, the most important applications are connected with the so-called *Calculus of residues*, which we shall return to in *Complex Functions c-6* and to the specific application in *Complex Functions c-7*. In these cases in the next books we shall only consider the behaviour of the function in the neighbourhood of an isolated singularity of  $f(z)$ .

Assume that  $z_0$  is an isolated singularity of the analytic function  $f : \Omega \rightarrow \mathbb{C}$ , i.e. there exists an  $R > 0$ , such that the disc with the centrum removed  $B(z_0, R) \setminus \{z_0\} \subseteq \Omega$  is contained in  $\Omega$ . Then we have some Laurent series expansion,

$$f(z) = \sum_{n=-\infty}^{+\infty} a_n (z - z_0)^n, \quad \text{for } z \in B(z_0, R) \setminus \{z_0\}.$$

There are here three possibilities:

- 1) If  $a_n = 0$  for all negative  $n$ , then the Laurent series is an usual power series, and we can extend  $f(z)$  analytically to  $z_0$ . Therefore, we call this case a *removable singularity*.

**Theorem 1.2** *If the analytic function  $f(z)$  is bounded in a neighbourhood of  $z_0$  (with the exception of  $z_0$  itself), then  $z_0$  is a removable singularity, and  $f(z)$  is also bounded at  $z_0$ .*

- 2) If  $a_n \neq 0$  for some, though only a finite number of negative  $n$ , e.g.  $a_{-N} \neq 0$  and  $a_n = 0$  for every  $n < -N$ , then  $z_0$  is called a *pole of order  $N$* . In this case one sometimes write  $f(z_0) = \infty$  (complex infinity).

**Theorem 1.3** *If  $f(z) \rightarrow \infty$  for  $z \rightarrow z_0$ , then  $f(z)$  has a pole at  $z_0$ .*

- 3) If  $a_n \neq 0$  for infinitely many negative  $n$ , then  $z_0$  is called an *essential singularity* of  $f(z)$ . The function behaves really wildly in any neighbourhood of an essential singularity,

**Theorem 1.4** PICARD'S THEOREM (1879). *If  $z_0$  is an isolated essential singularity of the analytic function  $f(z)$ , and  $D(r) := B(z_0, r) \setminus \{z_0\}$ ,  $r > 0$ , is any neighbourhood of  $z_0$  (with the exception of  $z_0$  itself), then the image  $f(D(r))$  is either  $\mathbb{C}$  or  $\mathbb{C}$  with the exception of one point  $w_0$ , i.e.  $\mathbb{C} \setminus \{w_0\}$ .*

Finally, we mention that there is no principal difference if we also consider  $\infty$  as an isolated singularity. We must, however, in this case, request that the analytic function  $f(z)$  is defined in the complementary set of a disc,  $|z| > R$ , where we always may choose  $z_0 = 0$  as the point of expansion. Thus we assume that

$$f(z) = \sum_{n=-\infty}^{+\infty} a_n z^n, \quad \text{for } |z| > R.$$

Then we have the same three possibilities as above for a finite isolated singularity, though it here are the *positive* exponents which are causing troubles:

- 1) If  $a_n = 0$  for every  $n \in \mathbb{N}$ , then  $\infty$  is a *removable singularity* for  $f(z)$ . In this case we define by continuous expansion,

$$f(\infty) = a_0.$$

We note that we in connection with the  $\mathfrak{z}$ -transform always consider Laurent series of this type.

- 2) If  $a_n \neq 0$  for some, though only finitely many  $n \in \mathbb{N}$ , e.g.  $a_N \neq 0$  and  $a_n = 0$  for every  $n > N$ , then we call  $\infty$  a *pole* of  $f(z)$  of order  $N$ .
- 3) Finally, if  $a_n \neq 0$  for infinitely many  $n \in \mathbb{N}$ , we call  $\infty$  an *essential singularity* of  $f(z)$ .

We should here add that e.g.  $\sin z \neq 0$  for  $z = n\pi$ ,  $n \in \mathbb{Z}$ , then  $z = n\pi$ ,  $n \in \mathbb{Z}$ , are poles of  $1/\sin z$ . However, since  $z = n\pi \rightarrow \infty$  for  $n \rightarrow \pm\infty$ , we see that  $\infty$  is *not* an isolated singularity of  $1/\sin z$ , and it is not possible later on to speak about the residue at  $\infty$  for such functions.



## 2 Laurent series

**Example 2.1** Find the Laurent series expansions of the function

$$f(z) = \frac{1}{z-2}, \quad z \neq 2,$$

from  $z_0 = 0$  in each of the domains in which there exists such an expansion.

The function is defined in  $\mathbb{C} \setminus \{2\}$ , and the point of expansion is  $z_0 = 0$ . Therefore, we have an usual Taylor expansion in the disc  $|z| < 2$  and a Laurent series expansion in the complementary of a disc  $|z| > 2$ . The denominator consists of two terms, so the strategy is always to norm the numerically larger of the terms and then apply the usual geometric series expansion.

1) In the disc  $|z| < 2$  the constant 2 is dominating in the denominator, and  $\left|\frac{z}{2}\right| < 1$ . Hence,

$$f(z) = \frac{1}{z-2} = -\frac{1}{2} \cdot \frac{1}{1-\frac{z}{2}} = -\frac{1}{2} \sum_{n=0}^{+\infty} \left\{\frac{z}{2}\right\}^n = -\sum_{n=0}^{+\infty} \frac{1}{2^{n+1}} z^n, \quad \text{for } |z| < 2,$$

which clearly is a Taylor series.

2) We have in the complementary of a disc,  $|z| > 2$ , that  $\left|\frac{1}{z}\right| < 1$ , so in this case we instead use that

$$f(z) = \frac{1}{z-2} = \frac{1}{z} \cdot \frac{1}{1-\frac{2}{z}} = \frac{1}{z} \sum_{n=0}^{+\infty} \left\{\frac{2}{z}\right\}^n = \sum_{n=1}^{+\infty} 2^{n-1} \cdot \frac{1}{z^n}, \quad \text{for } |z| > 2.$$

Summing up we get

$$f(z) = \frac{1}{z-2} = \begin{cases} -\sum_{n=0}^{+\infty} \frac{1}{2^{n+1}} z^n, & \text{for } |z| < 2, \\ \sum_{n=1}^{+\infty} 2^{n-1} \cdot \frac{1}{z^n}, & \text{for } |z| > 2. \end{cases}$$

Obviously, we cannot get any expansion when  $|z| = 2$ .

**Example 2.2** Find the Laurent series expansions of the function

$$f(z) = \frac{1}{(z-1)(z-2)}, \quad z \in \mathbb{C} \setminus \{1, 2\},$$

from  $z_0 = 0$  in each of the domains where such an expansion exists.

The singularities are 1 and 2, and the point of expansion is  $z_0 = 0$ . Thus, we get three domains, a disc  $\Omega_1 = B(0, 1)$ , and annulus  $\Omega_2 = \{z \in \mathbb{C} \mid 1 < |z| < 2\}$ , and finally a complementary set of a disc,  $\Omega_3 = \{z \in \mathbb{C} \mid |z| > 2\}$ . Since the function is a rational function, we start by a decomposition,

$$f(z) = \frac{1}{(z-1)(z-2)} = \frac{1}{z-2} - \frac{1}{z-1},$$

and then the most easy method is just to expand each fraction separately. We may here even use that the Laurent series of  $\frac{1}{z-2}$  already have been found in Example 2.1, so we shall skip these computations.

1) If  $z \in \Omega_1 = \{z \in \mathbb{C} \mid |z| < 1\}$ , then we get the Taylor series

$$f(z) = \frac{1}{z-2} - \frac{1}{z-1} = -\frac{1}{2} \cdot \frac{1}{1-\frac{z}{2}} + \frac{1}{1-z} = \sum_{n=0}^{+\infty} \left\{ 1 - \frac{1}{2^{n+1}} \right\} z^n, \quad \text{for } |z| < 1.$$

We note that there are no negative exponents in this expansion.

2) If  $z \in \Omega_2 = \{z \in \mathbb{C} \mid 1 < |z| < 2\}$ , then we get the Laurent series

$$f(z) = \frac{1}{z-2} - \frac{1}{z-1} = -\frac{1}{2} \cdot \frac{1}{1-\frac{1}{2z}} - \frac{1}{z} \cdot \frac{1}{1-\frac{1}{z}} = -\sum_{n=0}^{+\infty} \frac{1}{2^{n+1}} z^{-n} - \sum_{n=1}^{+\infty} \frac{1}{z^n}.$$

We note that we have both positive and negative exponents in the Laurent series expansion.

Please click the advert

The advertisement features a collage of four images. The top-left image shows a person sitting at a desk with multiple computer monitors, working in an office. The top-right image shows two women in professional attire; one is holding a laptop and they appear to be in a discussion. The bottom-left image shows a man in a dark suit holding a white document or folder. The bottom-right image shows a modern, multi-story building with many windows illuminated at night. The entire advertisement is set against a dark blue background with a light blue wavy graphic at the bottom. The Oticon logo is in the bottom right corner.

[www.job.oticon.dk](http://www.job.oticon.dk)

**oticon**  
PEOPLE FIRST

Download free books at [BookBooN.com](http://BookBooN.com)

3) If  $z \in \Omega_3 = \{z \in \mathbb{C} \mid |z| > 2\}$ , then we get the Laurent series

$$f(z) = \frac{1}{z-2} - \frac{1}{z-1} = \frac{1}{z} \cdot \frac{1}{1-\frac{2}{z}} - \frac{1}{z} \cdot \frac{1}{1-\frac{1}{z}} = \sum_{n=1}^{+\infty} \{2^{n-1} - 1\} \cdot \frac{1}{z^n} = \sum_{n=2}^{+\infty} \{2^{2-n} - 1\} \cdot \frac{1}{z^n}.$$

Note in this case that the series expansion does not contain any positive exponents.

**Example 2.3** Find the Laurent series expansions of the function

$$f(z) = \frac{1}{(1-z)^2}, \quad z \neq 1,$$

from  $z_0 = 0$  in each of the domains in which such an expansion exists.

The function  $f(z)$  is analytic in the unit disc  $\Omega_1 = B(0, 1)$  and in the complementary set  $\Omega_2 = \mathbb{C} \setminus B[0, 1]$ . Since  $z = 1$  is a double pole, we first consider the following auxiliary function

$$g(z) := \frac{1}{1-z} = \begin{cases} \sum_{n=0}^{+\infty} z^n, & |z| < 1, \\ -\frac{1}{z} \cdot \frac{1}{1-\frac{1}{z}} = -\sum_{n=1}^{+\infty} \frac{1}{z^n}, & \text{for } |z| > 1. \end{cases}$$

Since  $f(z) = g'(z)$  for  $z \neq 1$ , and since we may termwise differentiate the Laurent series in their domains, we easily get,

$$f(z) = \sum_{n=1}^{+\infty} n z^{n-1} = \sum_{n=0}^{+\infty} (n+1) z^n, \quad \text{for } z \in \Omega_1, \text{ dvs. for } |z| < 1,$$

and

$$f(z) = \sum_{n=1}^{+\infty} n \cdot z^{-n-1} = \sum_{n=2}^{+\infty} (n-1) z^{-n}, \quad \text{for } z \in \Omega_2, \text{ i.e. for } |z| > 1.$$

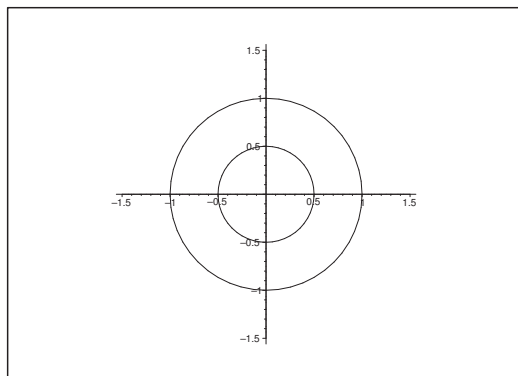
Obviously, this technique may be used in general on rational functions, whenever the denominator has a multiple root.

**Example 2.4** Find the domain of convergence of each of the following series:

$$(a) \sum_{n=0}^{+\infty} \left( z^n + \frac{1}{2^n z^n} \right), \quad (b) \sum_{n=0}^{+\infty} \left( \frac{z^n}{n!} + \frac{n^2}{z^n} \right), \quad (c) \sum_{n=0}^{+\infty} \left( z^n + \frac{1}{z^n} \right).$$

(a) Here

$$\sum_{n=0}^{+\infty} z^n = \frac{1}{1-z} \quad \text{is convergent for } |z| < 1,$$

Figure 1: The domain in **(a)** is an annulus.

and

$$\sum_{n=0}^{+\infty} \frac{1}{2^n z^n} = \sum_{n=0}^{+\infty} \left(\frac{1}{2z}\right)^n = \frac{2z}{2z-1}$$

is convergent for  $\left|\frac{1}{2z}\right| < 1$ , thus for  $|z| > \frac{1}{2}$ . The common domain of convergence is the annulus

$$\{z \in \mathbb{C} \mid \frac{1}{2} < |z| < 1\},$$

and the sum function is

$$f(z) = \frac{1}{1-z} + \frac{2z}{2z-1}.$$

**(b)** The series

$$\sum_{n=0}^{+\infty} \frac{z^n}{n!} = e^z$$

is convergent for every  $z \in \mathbb{C}$ , and the series

$$\sum_{n=0}^{+\infty} \frac{n^2}{z^n} \quad \left( = \frac{z^2 + z}{(z-1)^2} \right)$$

is convergent for  $\left|\frac{1}{z}\right| < 1$ , thus for  $|z| > 1$ . The domain of convergence is the complementary set of a disc

$$\{z \in \mathbb{C} \mid |z| > 1\},$$

and the corresponding sum function is

$$f(z) = e^z + \frac{z^2 + z}{(z-1)^2}.$$

- (c) The series  $\sum_{n=0}^{\infty} z^n$  has the domain of convergence  $|z| < 1$ , and the series  $\sum_{n=0}^{+\infty} \frac{1}{z^n}$  has the domain of convergence  $|z| > 1$ . The intersection is empty, so the open domain of convergence is also empty.

**Remark 2.1** Additionally, we prove here that

$$\sum_{n=0}^{+\infty} \left( z^n + \frac{1}{z^n} \right)$$

is also divergent, when  $|z| = 1$ . We put on this circle,  $z = e^{i\theta}$ , so

$$z^n + \frac{1}{z^n} = e^{in\theta} + e^{-in\theta} = 2 \cos n\theta,$$

and the series is

$$\sum_{n=0}^{+\infty} \left( z^n + \frac{1}{z^n} \right) = 2 \sum_{n=0}^{+\infty} \cos n\theta, \quad z = e^{i\theta}.$$

We shall prove that the trigonometric series  $\sum_{n=0}^{+\infty} \cos n\theta$  is *divergent* for every  $\theta \in \mathbb{R}$ . The *necessary condition* of convergence is that the  $n$ -th term tends towards 0, i.e. we require that

$$\cos n\theta \rightarrow 0 \quad \text{for } n \rightarrow +\infty.$$

Now, if e.g.  $|\cos n\theta| < \frac{1}{2}$  for some  $n$ , then

$$|\cos 2n\theta| = |2 \cos^2 n\theta - 1| \geq 1 - 2 \cdot \frac{1}{4} = \frac{1}{2},$$

and it follows that  $\cos n\theta$  does *not* tends towards 0 for  $n \rightarrow +\infty$ , so the series is divergent.  $\diamond$

**Example 2.5** Find the domain of convergence for each of the following series:

$$\begin{aligned} \text{(a)} \quad \sum_{n=1}^{\infty} \left\{ \frac{z(z+n)}{n} \right\}^n, & \quad \text{(b)} \quad \sum_{n=0}^{+\infty} \frac{(-1)^n}{z+n}, \\ \text{(c)} \quad \sum_{n=0}^{+\infty} \frac{2^n}{z^{2^n} + 1}, & \quad \text{(d)} \quad \sum_{n=0}^{+\infty} \frac{z^n}{1+z^{2^n}}. \end{aligned}$$

HINT: None of the series is a power series.

(a) It follows that

$$\left\{ \frac{z(z+n)}{n} \right\}^n = z^n \left( 1 + \frac{z}{n} \right)^n,$$

where

$$\left( 1 + \frac{z}{n} \right)^n \rightarrow e^z \quad \text{for } n \rightarrow +\infty.$$

In particular, to every  $z$  there exist constants  $C_1$  and  $C_2$ , as well as an  $N$ , such that

$$C_1|z|^n \leq \left| \left\{ \frac{z(z+n)}{n} \right\}^n \right| \leq C_2|z|^n \quad \text{for } n \geq N, .$$

Then we apply the *criterion of equivalence* for usual real series to conclude that the two series

$$\sum_{n=1}^{+\infty} \left\{ \frac{z(z+n)}{n} \right\}^n \quad \text{og} \quad \sum_{n=1}^{+\infty} z^n,$$

are absolutely convergent in the same domain, so the domain of convergence is the open unit disc

$$|z| < 1.$$

ASIDE. Note that if  $|z| = 1$ , then

$$\left| \frac{z(z+n)}{n} \right|^n \rightarrow |e^z| \neq 0,$$

and the *necessary condition* of convergence is *not* fulfilled, so the series is *divergent* on  $|z| = 1$ .

Please click the advert

**CHALLENGE YOURSELF**

**WWW.STUDYINSWEDEN.SE**

**Si.**  
Swedish Institute

Today's job market values ambitious, innovative, perceptive team players. Swedish universities foster these qualities through a forward-thinking culture where you're close to the latest ideas and global trends.

Whatever your career goals may be, studying in Sweden will give you valuable skills and a competitive advantage for your future. [www.studyinsweden.se](http://www.studyinsweden.se)

(b) If  $z \notin \mathbb{Z}_- \cup \{0\}$ , then

$$\frac{(-1)^n}{z+n} = \frac{(-1)^n}{x+n+iy} = (-1)^n \cdot \frac{x+n-iy}{(x+n)^2+y^2}.$$

Clearly, the sum of the imaginary part alone is convergent for  $z \notin \mathbb{Z}_- \cup \{0\}$ , because the terms are asymptotically equal to a constant times  $\frac{1}{n^2}$ . Concerning the real parts we get for the numerical values,

$$\frac{x+n}{(x+n)^2+y^2} \searrow 0 \quad \text{for } n \rightarrow +\infty \text{ and } n \geq N(x).$$

The corresponding real sequence is *alternating*, hence it follows from *Dirichlet's criterion* that the real part of the series is also convergent. (A further analysis would of course show that the convergence of the real part is conditional, but we shall not use this fact here). The series is clearly not defined for  $z \in \mathbb{Z}_- \cup \{0\}$ , so the series is convergent for  $z \notin \mathbb{Z}_- \cup \{0\}$ .

(c) If  $|z| \leq 1$ , then of course,

$$\frac{2^n}{z^{2^n} + 1} \rightarrow \infty \quad \text{for } n \rightarrow +\infty,$$

and the series is divergent.

If instead  $|z| > 1$ , then

$$\frac{2^n}{z^{2^n} + 1} = \frac{2^n}{z^{2^n}} \cdot \frac{1}{1 + \frac{1}{z^{2^n}}} = \left( \frac{2}{z^{2^n/n}} \right)^n \cdot \{1 + o(1)\}.$$

It follows from

$$\frac{2}{z^{2^n/n}} \rightarrow 0 \quad \text{for } n \rightarrow +\infty \text{ og } |z| > 1,$$

that there exist a  $k \in ]0, 1[$  and an  $N(k; z)$ , such that

$$\left| \frac{2^n}{z^{2^n} + 1} \right| < k^n \quad \text{for alle } n \geq N(k; z).$$

(Note that the denominator is never 0, when  $|z| > 1$ ). Hence, the domain of convergence is the complementary set of a disc  $|z| > 1$ .

(d) If  $|z| = 1$ , then

$$\left| \frac{z^n}{1 + z^{2^n}} \right| \geq \frac{1}{2} > 0,$$

and the necessary condition of convergence is not fulfilled, so the series is divergent for  $|z| = 1$ .

If  $|z| < 1$ , then we get the following estimates with some constants  $C_1(z) > 0$  and  $C_2(z) > 0$ ,

$$C_1(z) |z|^n \leq \left| \frac{z^n}{1 + z^{2^n}} \right| \leq C_2(z) |z|^n,$$

and since  $\sum_{n=0}^{+\infty} z^n$  is convergent for  $|z| < 1$ , it follows from the *criterion of equivalence* that we have convergence for  $|z| < 1$ .

It  $|z| > 1$ , then  $z^{2^n}$  dominate, so we get instead the following estimate

$$\left| \frac{z^n}{1 + z^{2^n}} \right| \leq \frac{C}{|z|^{2^n - n}} \leq D \cdot \left( \frac{1}{|z|} \right)^n \quad n \geq N.$$

We conclude from  $\frac{1}{|z|} < 1$  that the series is convergent.

Summing up we see that the domain of convergence is given by  $|z| \neq 1$ , i.e. in all points of  $\mathbb{C}$ , with the exception of the points of the unit circle.

**Example 2.6** Find a strip  $\{z \in \mathbb{C} \mid |y| < k\}$ , in which the series

$$\sum_{n=1}^{+\infty} \frac{1}{2^n} \cos nz$$

is convergent. What is the largest possible  $k$ ?

Prove that the series defines an analytic function in the strip.

It follows formally from

$$\cos nz = \frac{1}{2} e^{inz} + \frac{1}{2} e^{-inz},$$

that

$$\sum_{n=1}^{+\infty} \frac{1}{2^n} \cos nz = \frac{1}{2} \sum_{n=1}^{+\infty} \frac{1}{2^n} e^{inz} + \frac{1}{2} \sum_{n=1}^{+\infty} \frac{1}{2^n} e^{-inz} = \frac{1}{2} \sum_{n=1}^{+\infty} \left( \frac{e^{iz}}{2} \right)^n + \frac{1}{2} \sum_{n=1}^{+\infty} \left( \frac{e^{-iz}}{2} \right)^n.$$

The former series is convergent when

$$\left| \frac{e^{iz}}{2} \right| < 1, \quad \text{i.e. when } e^{-y} < 2, \text{ or } y > -\ln 2,$$

and the latter series is convergent when

$$\left| \frac{e^{-iz}}{2} \right| < 1, \quad \text{i.e. when } e^y < 2, \text{ or } y < \ln 2.$$

Then obviously,

$$\sum_{n=1}^{+\infty} \frac{1}{2^n} \cos nz$$



is convergent for  $|y| < \ln 2$  (and divergent for  $|y| > \ln 2$ ). If  $|y| < \ln 2$ , then we get the sum function

$$\begin{aligned} \sum_{n=1}^{+\infty} \frac{1}{2^n} \cos nz &= \frac{1}{2} \sum_{n=1}^{+\infty} \left(\frac{e^{iz}}{2}\right)^n + \frac{1}{2} \sum_{n=1}^{+\infty} \left(\frac{1}{2e^{iz}}\right)^n = \frac{1}{2} \cdot \frac{\frac{e^{iz}}{2}}{1 - \frac{e^{iz}}{2}} + \frac{1}{2} \cdot \frac{\frac{1}{2e^{iz}}}{1 - \frac{1}{2e^{iz}}} \\ &= \frac{1}{2} \cdot \frac{e^{iz}}{2 - e^{iz}} + \frac{1}{2} \cdot \frac{e^{-iz}}{2 - e^{-iz}} = \frac{1}{2} \cdot \frac{2e^{iz} - 1 + 2e^{-iz} - 1}{4 - 2e^{iz} - 2e^{-iz} + 1} \\ &= \frac{1}{2} \cdot \frac{4 \cos z - 2}{5 - 4 \cos z} = \frac{2 \cos z - 1}{5 - 4 \cos z}, \quad |y| < \ln 2, \end{aligned}$$

and the function is clearly analytic in the strip.

**Example 2.7** Prove that the series

$$\sum_{n=0}^{+\infty} \frac{z^{2^n}}{1 - z^{2^{n+1}}}$$

is convergent for every  $z \in \mathbb{C}$ , for which  $|z| \neq 1$ .

Find an expression of the sum of the series, partly in  $\{z \mid |z| < 1\}$ , and partly in  $\{z \mid |z| > 1\}$ .

If  $|z| < 1$ , then  $|z|^m < \frac{1}{2}$  for  $m \geq N = N(z)$ , hence

$$\left| \frac{z^{2^n}}{1 - z^{2^{n+1}}} \right| \leq 2 \cdot |z^{2^n}| \leq 2 \cdot |z|^n \quad \text{for } n \geq \frac{\ln N}{\ln 2}.$$

Since  $\sum 2|z|^n$  is convergent for  $|z| < 1$ , it follows that

$$\sum_{n=0}^{+\infty} \frac{z^{2^n}}{1 - z^{2^n}}$$

is convergent for  $|z| < 1$ .

If instead  $|z| > 1$ , we write

$$\frac{z^{2^n}}{1 - z^{2^{n+1}}} = - \frac{\left(\frac{1}{z}\right)^{2^n}}{1 - \left(\frac{1}{z}\right)^{2^{n+1}}} = - \frac{z_1^{2^n}}{1 - z_1^{2^{n+1}}},$$

and since  $\left|\frac{1}{z}\right| = |z_1| < 1$ , it follows from the above that the series

$$\sum_{n=0}^{+\infty} \frac{z^{2^n}}{1 - z^{2^{n+1}}} = \sum_{n=0}^{+\infty} \frac{z_1^{2^n}}{1 - z_1^{2^{n+1}}}$$

is convergent for  $|z_1| < 1$ , i.e. for  $|z| > 1$ .

Finally, if  $|z| = 1$ , then

$$\left| \frac{z^{2^n}}{1 - z^{2^{n+1}}} \right| \geq \frac{1}{2} > 0,$$

and the necessary condition of convergence is not fulfilled, so we have divergence for  $|z| = 1$ .

Now,

$$\frac{w}{1 - w^2} = \frac{w(1 + w)}{(1 - w)(1 + w)} - \frac{w^2}{1 - w^2} = \frac{w}{1 - w} - \frac{w^2}{1 - w^2},$$

so if we put  $w = z^{2^n}$ , then

$$\frac{z^{2^n}}{1 - z^{2^{n+1}}} = \frac{z^{2^n}}{1 - z^{2^n}} - \frac{z^{2^{n+1}}}{1 - z^{2^{n+1}}},$$

Please click the advert

## Turning a challenge into a learning curve. Just another day at the office for a high performer.

### Accenture Boot Camp – your toughest test yet

Choose Accenture for a career where the variety of opportunities and challenges allows you to make a difference every day. A place where you can develop your potential and grow professionally, working alongside talented colleagues. The only place where you can learn from our unrivalled experience, while helping our global clients achieve high performance. If this is your idea of a typical working day, then Accenture is the place to be.

It all starts at Boot Camp. It's 48 hours that will stimulate your mind and enhance your career prospects. You'll spend time with other students, top Accenture Consultants and special guests. An inspirational two days

packed with intellectual challenges and activities designed to let you discover what it really means to be a high performer in business. We can't tell you everything about Boot Camp, but expect a fast-paced, exhilarating

and intense learning experience. It could be your toughest test yet, which is exactly what will make it your biggest opportunity.

Find out more and apply online.

Visit [accenture.com/bootcamp](https://www.accenture.com/bootcamp)

• Consulting • Technology • Outsourcing

  
High performance. Delivered.

and the sectional sequence becomes

$$\begin{aligned} s_n(z) &= \frac{z}{1-z^2} + \frac{z^2}{1-z^4} + \cdots + \frac{z^{2^n}}{1-z^{2^{n+1}}} \\ &= \left( \frac{z}{1-z} - \frac{z^2}{1-z^2} \right) + \left( \frac{z^2}{1-z^2} - \frac{z^4}{1-z^4} \right) + \cdots + \left( \frac{z^{2^n}}{1-z^{2^n}} - \frac{z^{2^{n+1}}}{1-z^{2^{n+1}}} \right) \\ &= \frac{z}{1-z} - \frac{z^{2^{n+1}}}{1-z^{2^{n+1}}}. \end{aligned}$$

If  $|z| < 1$ , then the latter term tends towards 0 for  $n \rightarrow +\infty$ , hence

$$\sum_{n=0}^{+\infty} \frac{z^{2^n}}{1-z^{2^{n+1}}} = \lim_{n \rightarrow +\infty} s_n(z) = \frac{z}{1-z} \quad \text{for } |z| < 1.$$

If  $|z| > 1$ , then

$$-\frac{z^{2^{n+1}}}{1-z^{2^{n+1}}} = \frac{1}{1 - \left(\frac{1}{z}\right)^{2^{n+1}}} \rightarrow 1 \quad \text{for } n \rightarrow +\infty,$$

thus

$$\sum_{n=0}^{+\infty} \frac{z^{2^n}}{1-z^{2^{n+1}}} = \lim_{n \rightarrow +\infty} s_n(z) = \frac{z}{1-z} + 1 = \frac{1}{1-z} \quad \text{for } |z| > 1,$$

so summing up,

$$\sum_{n=0}^{+\infty} \frac{z^{2^n}}{1-z^{2^{n+1}}} = \begin{cases} \frac{z}{1-z} & \text{for } |z| < 1, \\ \frac{1}{1-z} & \text{for } |z| > 1. \end{cases}$$

**Example 2.8** Prove that the power series

$$f(z) = \sum_{n=0}^{+\infty} z^{2^n}$$

represents a function, which is analytic in the disc  $|z| < 1$ , and which cannot be continuously extended across the unit circle.

HINT: Apply the equation

$$f(z) = z + z^2 + z^4 + \cdots + z^{2^{k-1}} + f(z^{2^k}).$$

Prove that if  $\zeta \in \mathbb{C}$  satisfies  $\zeta^{2^k} = 1$  for some  $k \in \mathbb{N}$ , then  $f(t\zeta) \rightarrow \infty$  for  $t \rightarrow 1-$ .

Since  $|z^{2^n}| \leq |z|^n$ , whenever  $|z| < 1$ , it is obvious that  $f(z)$  is analytic in the open disc  $|z| < 1$ .

Then

$$f(z) = z + z^2 + z^4 + \cdots + z^{2^{k-1}} + f(z^{2^k}).$$

If we choose  $\zeta \in \mathbb{C}$ , such that  $\zeta^{2^k} = 1$ , then

$$(t\zeta)^{2^k} = t^{2^k}, \quad t \in ]0, 1[,$$

and we get

$$f((t\zeta)^{2^k}) = f(t^{2^k}) = \sum_{n=0}^{+\infty} (t^{2^k})^{2^n} = \sum_{n=0}^{+\infty} t^{2^{k+n}} \rightarrow +\infty \quad \text{for } t \rightarrow 1-,$$

where we have used that  $t$  is positive. Now

$$z + z^2 + \cdots + z^{2^{k-1}}$$

is bounded for  $z = t\zeta$ , so we conclude that

$$f(t\zeta) \rightarrow \infty \quad \text{for } t \rightarrow 1-.$$

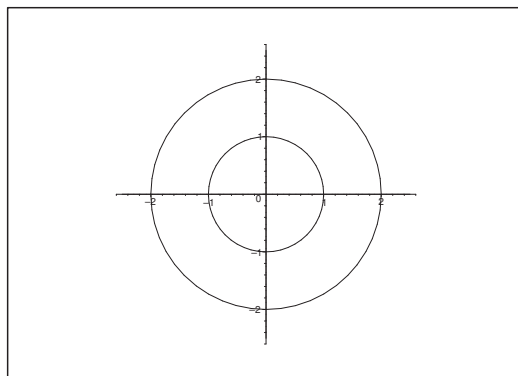
Since this holds for every  $k$ , and since the set of  $2^k$ -roots,  $k \in \mathbb{N}_0$ , are dense on the unit circle, we conclude that it is not possible to extend  $f$  continuously to any point on the unit circle  $|z| = 1$ .

**Example 2.9** Find the Laurent series expansion from  $z_0 = 0$  for each of the following functions in the given domains:

$$(a) \frac{z-1}{z+1} \quad \text{for } |z| > 1, \quad (b) \frac{10}{(z+2)(z^2+1)} \quad \text{for } 1 < |z| < 2.$$

(a) If  $|z| > 1$  then it follows by an application of the geometric series that

$$\frac{z-1}{z+1} = \frac{1-\frac{1}{z}}{1+\frac{1}{z}} = -1 + \frac{2}{1+\frac{1}{z}} = -1 + 2 \sum_{n=0}^{+\infty} (-1)^n \left(\frac{1}{z}\right)^n = 1 + 2 \sum_{n=1}^{+\infty} (-1)^n \cdot \frac{1}{z^n}.$$

Figure 2: The annulus  $1 < |z| < 2$ .

(b) We decompose

$$\frac{10}{(z+2)(z^2+1)} = \frac{A}{z+2} + \frac{Bz+C}{z^2+1}.$$

Then

$$A = \frac{10}{5} = 2,$$

hence by reduction,

$$\frac{Bz+C}{z^2+1} = \frac{10}{(z+2)(z^2+1)} - \frac{2}{z+2} = \frac{10-2z^2-2}{(z+2)(z^2+1)} = -2 \frac{z^2-4}{(z+2)(z^2+1)} = \frac{-2z+4}{z^2+1}.$$

Since  $1 < |z| < 2$ , it follows by the geometric series that

$$\begin{aligned} \frac{10}{(z+2)(z^2+1)} &= \frac{2}{z+2} + \frac{-2z+4}{z^2+1} = \frac{1}{1+\frac{z}{2}} + \frac{-2 \cdot \frac{1}{z} + 4 \cdot \frac{1}{z^2}}{1+\left(\frac{1}{z}\right)^2} \\ &= \sum_{n=0}^{+\infty} (-1)^n \left(\frac{z}{2}\right)^n - \frac{2}{z} \sum_{n=0}^{+\infty} (-1)^n \cdot \frac{1}{z^{2n}} + \frac{4}{z^2} \sum_{n=0}^{+\infty} (-1)^n \cdot \frac{1}{z^{2n}} \\ &= \sum_{n=0}^{+\infty} \frac{(-2)^n}{2^n} z^n + \sum_{n=0}^{+\infty} \frac{2(-1)^{n+1}}{z^{2n+1}} + \sum_{n=1}^{+\infty} \frac{4(-1)^{n+1}}{z^{2n}}. \end{aligned}$$

**Example 2.10** Find the Laurent series for  $\frac{z+1}{z-1}$ , in the disc  $|z| < 1$ , and in the complementary set of a disc  $|z| > 1$ .

(a) If  $|z| < 1$ , then by the geometric series

$$\frac{z+1}{z-1} = \frac{z-1+2}{z-1} = 1 - \frac{2}{1-z} = 1 - 2 \sum_{n=0}^{+\infty} z^n = -1 - 2 \sum_{n=1}^{+\infty} z^n, \quad |z| < 1.$$

(b) If  $|z| > 1$ , then put  $w = \frac{1}{z}$ , thus  $|w| < 1$ . It follows from (a) that

$$\frac{z+1}{z-1} = \frac{1+w}{1-w} = -\frac{w+1}{w-1} = 1 + 2 \sum_{n=1}^{+\infty} w^n = 1 + 2 \sum_{n=1}^{+\infty} \frac{1}{z^n}, \quad |z| > 1.$$

“ALTERNATIVELY”,

$$\frac{z+1}{z-1} = \frac{1+\frac{1}{z}}{1-\frac{1}{z}} = -1 + \frac{2}{1-\frac{1}{z}} = -1 + 2 \sum_{n=0}^{+\infty} \frac{1}{z^n} = 1 + 2 \sum_{n=1}^{+\infty} \frac{1}{z^n}, \quad |z| > 1.$$

Please click the advert



it's an **interesting** world

## Get under the skin of it.

**Graduate opportunities**  
Cheltenham | £24,945 + benefits

One of the UK's intelligence services, GCHQ's role is two-fold: to gather and analyse intelligence which helps shape Britain's response to global events, and, to provide technical advice for the protection of Government communication and information systems. In doing so, our specialists – in IT, internet, engineering, languages, information assurance, mathematics and intelligence – get well beneath the surface of global affairs. If you thought the world was an interesting place, you really ought to explore our world of work.

[www.careersinbritishintelligence.co.uk](http://www.careersinbritishintelligence.co.uk)

Applicants must be British citizens. GCHQ values diversity and welcomes applicants from all sections of the community. We want our workforce to reflect the diversity of our work.



INVESTORS  
IN PEOPLE



**Example 2.11** Find the Laurent series for

$$\frac{1}{z^2(1-z)}$$

in the sets  $0 < |z| < 1$ , and  $|z| > 1$ .

(a) If  $0 < |z| < 1$ , then

$$\frac{1}{z^2(1-z)} = \frac{1}{z^2} \sum_{n=0}^{+\infty} z^n = \sum_{n=-2}^{+\infty} z^n.$$

(b) If  $|z| > 1$ , then

$$\frac{1}{z^2(1-z)} = -\frac{1}{z^3} \cdot \frac{1}{1-\frac{1}{z}} = -\frac{1}{z^3} \sum_{n=0}^{+\infty} \frac{1}{z^n} = -\sum_{n=3}^{+\infty} \frac{1}{z^n}.$$

**Example 2.12** Find the Laurent series expansion from 0 for each of the following functions in the given domains:

$$(a) \frac{z^2-1}{(z+2)(z+3)} \quad \text{for } |z| > 3, \quad (b) \frac{24}{z^2(z-1)(z+2)} \quad \text{for } 0 < |z| < 1.$$

(a) Since  $\left|\frac{2}{z}\right| < 1$  and  $\left|\frac{3}{z}\right| < 1$  for  $|z| > 3$ , we get by a decomposition (remember the constant term, because the numerator and the denominator have the same degree),

$$\begin{aligned} \frac{z^2-1}{(z+2)(z+3)} &= 1 + \frac{3}{z+2} - \frac{8}{z+3} = 1 + \frac{3}{z} \cdot \frac{1}{1+\frac{2}{z}} - \frac{8}{z} \cdot \frac{1}{1+\frac{3}{z}} \\ &= 1 + \frac{3}{z} \sum_{n=0}^{+\infty} (-1)^n \cdot \frac{2^n}{z^n} - \frac{8}{z} \sum_{n=0}^{+\infty} (-1)^n \cdot \frac{3^n}{z^n} \\ &= 1 + \sum_{n=1}^{+\infty} (-1)^{n-1} \cdot \frac{3 \cdot 2^{n-1}}{z^n} - \sum_{n=1}^{+\infty} (-1)^{n-1} \cdot \frac{8 \cdot 3^{n-1}}{z^n} \\ &= 1 + \sum_{n=1}^{+\infty} (-1)^n \{8 \cdot 3^{n-1} - 3 \cdot 2^{n-1}\} \cdot \frac{1}{z^n}. \end{aligned}$$

(b) Since  $|z| < 1$  and  $\left|\frac{z}{2}\right| < 1$  for  $0 < |z| < 1$ , it follows by a decomposition, in which  $\frac{1}{z^2}$  does NOT

enter that

$$\begin{aligned} \frac{24}{z^2(z-1)(z+2)} &= \frac{1}{z^2} \left\{ \frac{8}{z-1} - \frac{8}{z+2} \right\} = -\frac{1}{z^2} \left\{ \frac{8}{1-z} + \frac{4}{1+\frac{z}{2}} \right\} \\ &= -\frac{1}{z^2} \left\{ \sum_{n=0}^{+\infty} 8z^n + \sum_{n=0}^{+\infty} (-1)^n \cdot 4 \cdot \frac{1}{2^n} z^n \right\} = -\sum_{n=0}^{+\infty} \left\{ 8 + (-1)^n \frac{1}{2^{n-2}} \right\} z^{n-2} \\ &= -\sum_{n=-2}^{+\infty} \left\{ 8 + (-1)^n \cdot \frac{1}{2^n} \right\} z^n. \end{aligned}$$

**Example 2.13** Write the function

$$f(z) = \frac{z}{1+z^3}$$

in the form  $\sum_{n=0}^{+\infty} a_n z^n$ , as well as in the form  $\sum_{n=0}^{+\infty} b_n \frac{1}{z^n}$ . Indicate in both cases the domain of convergence.

It follows from  $1+z^3=0$  that  $|z|=1$ . We shall therefore consider the cases  $|z|<1$  and  $|z|>1$  separately.

If  $|z|<1$ , then

$$\frac{z}{1+z^3} = z \sum_{n=0}^{+\infty} (-1)^n z^{3n} = \sum_{n=0}^{+\infty} (-1)^n z^{3n+1}, \quad |z|<1.$$

If instead  $|z|>1$ , then

$$\frac{z}{1+z^3} = \frac{1}{z^2} \cdot \frac{1}{1+\frac{1}{z^3}} = \frac{1}{z^2} \sum_{n=0}^{+\infty} (-1)^n \cdot \frac{1}{z^{3n}} = \sum_{n=0}^{+\infty} (-1)^n \cdot \frac{1}{z^{3n+2}}, \quad |z|>1.$$

**Example 2.14** Find the Laurent series expansion from 0 of

$$(a) \frac{\sinh z}{z^8} \quad \text{for } |z|>0, \quad (b) \frac{\exp(z^2) - 1}{z^3} \quad \text{for } |z|>0.$$

(a) We get by using the series expansion of  $\sinh z$  that

$$\frac{\sinh z}{z^8} = \frac{1}{z^8} \sum_{n=0}^{+\infty} \frac{z^{2n+1}}{(2n+1)!} = \sum_{n=0}^{+\infty} \frac{z^{2n-8+1}}{(2n+1)!} = \sum_{n=-4}^{+\infty} \frac{z^{2n+1}}{(2n+9)!}, \quad \text{for } z \in \mathbb{C} \setminus \{0\}.$$

(b) In the same way,

$$\frac{\exp(z^2) - 1}{z^3} = \frac{1}{z^3} \sum_{n=1}^{+\infty} \frac{z^{2n}}{n!} = \sum_{n=1}^{+\infty} \frac{z^{2n-3}}{n!} = \frac{1}{z} + \sum_{n=0}^{+\infty} \frac{z^{2n+1}}{(n+2)!}, \quad \text{for } z \in \mathbb{C} \setminus \{0\}.$$



**Example 2.15** Find the Laurent series expansion from 0 of

$$(a) z^2 \exp\left(\frac{1}{z}\right), \quad (b) \exp\left(z + \frac{1}{z}\right), \quad (c) \sin z \cdot \sin \frac{1}{z}.$$

(a) We get by a series expansion

$$z^2 \exp\left(\frac{1}{z}\right) = z^2 \sum_{n=0}^{+\infty} \frac{1}{n!} z^{-n} = z^2 + z + \frac{1}{2} + \sum_{n=1}^{+\infty} \frac{1}{(n+2)!} z^n, \quad z \in \mathbb{C} \setminus \{0\}.$$

(b) Here we use *Cauchy multiplication*,

$$\begin{aligned} \exp\left(z + \frac{1}{z}\right) &= \exp z \cdot \exp \frac{1}{z} = \sum_{p=0}^{+\infty} \frac{z^p}{p!} \sum_{q=0}^{+\infty} \frac{1}{q!} z^{-q} \\ &= \sum_{p=0}^{+\infty} \sum_{q=0}^{+\infty} \frac{1}{p! q!} z^{p-q} = \sum_{n=-\infty}^{+\infty} a_n z^n, \quad z \in \mathbb{C} \setminus \{0\}, \end{aligned}$$

where it follows from the symmetry that  $a_{-n} = a_n$ . Furthermore,

$$a_n = \sum_{\substack{p, q=0 \\ p-q=n}}^{+\infty} \frac{1}{p! q!} = \sum_{q=0}^{+\infty} \frac{1}{q!(q+n)!}, \quad n \in \mathbb{N}_0,$$

hence

$$\exp\left(z + \frac{1}{z}\right) = \sum_{n=0}^{+\infty} \left\{ \sum_{q=0}^{+\infty} \frac{1}{q!(q+n)!} \right\} z^n + \sum_{n=1}^{+\infty} \left\{ \sum_{q=0}^{+\infty} \frac{1}{q!(q+n)!} \right\} \frac{1}{z^n}$$

for  $z \in \mathbb{C} \setminus \{0\}$ .

(c) We get by a *Cauchy multiplication* for  $z \in \mathbb{C} \setminus \{0\}$  that

$$\sin z \cdot \sin \frac{1}{z} = \sum_{p=0}^{+\infty} \frac{(-1)^p}{(2p+1)!} z^{2p+1} \sum_{q=0}^{+\infty} \frac{(-1)^q}{(2q+1)!} \left(\frac{1}{z}\right)^{2q+1} = \sum_{p=0}^{+\infty} \sum_{q=0}^{+\infty} \frac{(-1)^{p-q}}{(2p+1)!(2q+1)!} z^{2(p-q)}.$$

The symmetry implies that  $a_{-n} = a_n$ , and it follows directly that  $a_{2n+1} = 0$ ,  $n \in \mathbb{Z}$ . Finally,

$$a_{2n} = \sum_{\substack{p, q=0 \\ p-q=n}}^{+\infty} \frac{(-1)^{p-q}}{(2p+1)!(2q+1)!} = (-1)^n \sum_{q=0}^{+\infty} \frac{1}{(2q+1)!(2q+2n+1)!}$$

for  $n \in \mathbb{N}_0$ . Hence we get for  $z \in \mathbb{C} \setminus \{0\}$ ,

$$\begin{aligned} \sin z \cdot \sin \frac{1}{z} &= \sum_{n=0}^{+\infty} (-1)^n \left\{ \sum_{q=0}^{+\infty} \frac{1}{(2q+1)!(2q+2n+1)!} \right\} z^{2n} \\ &\quad + \sum_{n=1}^{+\infty} \left\{ \sum_{q=0}^{+\infty} \frac{1}{(2q+1)!(2q+2n+1)!} \right\} \frac{1}{z^{2n}}. \end{aligned}$$

**Example 2.16** Find the Laurent series expansion of the following functions,

$$(a) \frac{z}{z+2} \text{ for } |z| > 2, \quad (b) \sin \frac{1}{z} \text{ for } z \neq 0.$$

(a) Since  $\left|\frac{2}{z}\right| < 1$  for  $|z| > 2$ , it follows by a division and an application of the geometric series,

$$\frac{z}{z+2} = \frac{1}{1 + \frac{2}{z}} = \sum_{n=0}^{+\infty} (-1)^n \cdot \frac{2^n}{z^n} \quad \text{for } |z| > 2.$$

(b) Here we get by the series expansion of  $\sin w$ , where we put  $w = \frac{1}{z}$ ,

$$\sin \frac{1}{z} = \sum_{n=0}^{+\infty} \frac{(-1)^n}{(2n+1)!} \frac{1}{z^{2n+1}} \quad \text{for } z \neq 0.$$

Please click the advert



**Brain power**

By 2020, wind could provide one-tenth of our planet's electricity needs. Already today, SKF's innovative know-how is crucial to running a large proportion of the world's wind turbines.

Up to 25 % of the generating costs relate to maintenance. These can be reduced dramatically thanks to our systems for on-line condition monitoring and automatic lubrication. We help make it more economical to create cleaner, cheaper energy out of thin air.

By sharing our experience, expertise, and creativity, industries can boost performance beyond expectations. Therefore we need the best employees who can meet this challenge!

**The Power of Knowledge Engineering**

Plug into The Power of Knowledge Engineering.  
Visit us at [www.skf.com/knowledge](http://www.skf.com/knowledge)

**SKF**

Download free books at [BookBooN.com](http://BookBooN.com)

**Example 2.17** Find the Laurent series expansion of the following functions:

$$(a) \cos \frac{1}{z} \quad \text{for } z \neq 0, \quad (b) \frac{1}{z-3} \quad \text{for } |z| > 3.$$

(a) Put  $w = \frac{1}{z}$  into the series expansion of  $\cos w$  to get

$$\cos \frac{1}{z} = \sum_{n=0}^{+\infty} \frac{(-1)^n}{(2n)!} \frac{1}{z^{2n}} \quad \text{for } z \neq 0.$$

(b) Since  $\left| \frac{3}{z} \right| < 1$  for  $|z| > 3$ , it follows by a small rearrangement followed by an application of the geometric series that

$$\frac{1}{z-3} = \frac{1}{z} \cdot \frac{1}{1 - \frac{3}{z}} = \frac{1}{z} \sum_{n=0}^{+\infty} \frac{3^n}{z^n} = \sum_{n=1}^{+\infty} 3^{n-1} \frac{1}{z^n} \quad \text{for } |z| > 3.$$

**Example 2.18** Find the first four terms of the Laurent series expansion of

$$f(z) = \frac{e^z}{z(z^2+1)}$$

in the set  $0 < |z| < 1$ .

If  $0 < |z| < 1$ , then

$$\frac{1}{z(z^2+1)} = \frac{1}{z} \sum_{n=0}^{+\infty} (-1)^n z^{2n} = \frac{1}{z} - z + z^3 - z^5 + \dots.$$

Now,

$$e^z = 1 + z + \frac{z^2}{2!} + \frac{z^3}{3!} + \frac{z^4}{4!} + \dots,$$

so we get by a *Cauchy multiplication*,

$$\begin{aligned} \frac{e^z}{z(z^2+1)} &= \left\{ \frac{1}{z} - z + z^3 - z^5 + \dots \right\} \left\{ 1 + z + \frac{z^2}{2} + \frac{z^3}{6} + \frac{z^4}{24} + \dots \right\} \\ &= \frac{1}{z} + 1 + \left\{ \frac{1}{2} - 1 \right\} z + \left\{ \frac{1}{6} - 1 \right\} z^2 + \left\{ 124 - \frac{1}{2} + 1 \right\} z^3 + \dots \\ &= \frac{1}{z} - 1 - \frac{1}{2} z - \frac{5}{6} z^2 + \frac{13}{24} z^3 + \dots \end{aligned}$$

**Example 2.19** Find the first four terms of the Laurent series expansion of  $\frac{1}{\sin z}$  from 0.

Since  $\sin z = 0$  for  $z = 0$  and  $z = \pi$ , and since  $\sin z \neq 0$  for  $0 < |z| < \pi$ , the domain of convergence is  $0 < |z| < \pi$ .

Since  $\sin z$  is odd and has a zero of order 1 at 0, the structure must be

$$\frac{1}{\sin z} = \frac{a_{-1}}{z} + a_1 z + a_3 z^3 + a_5 z^5 + \dots$$

Now,

$$\sin z = z - \frac{z^3}{3!} + \frac{z^5}{5!} - \frac{z^7}{7!} + \dots,$$

so we get for  $0 < |z| < \pi$ ,

$$\begin{aligned} 1 &= \sin z \cdot \frac{1}{\sin z} = \left\{ z - \frac{z^3}{3!} + \frac{z^5}{5!} - \frac{z^7}{7!} + \dots \right\} \left\{ \frac{a_{-1}}{z} + a_1 z + a_3 z^3 + a_5 z^5 + \dots \right\} \\ &= \left\{ 1 - \frac{z^2}{6} + \frac{z^4}{120} - \frac{z^6}{5040} + \dots \right\} \left\{ a_{-1} + a_1 z^2 + a_3 z^2 + a_5 z^6 + \dots \right\} \\ &= a_{-1} + \left\{ a_1 - \frac{1}{6} a_{-1} \right\} z^2 + \left\{ a_3 - \frac{1}{6} a_1 + \frac{1}{120} a_{-1} \right\} z^4 \\ &\quad + \left\{ a_5 - \frac{1}{6} a_3 + \frac{1}{120} a_1 - \frac{1}{5040} a_{-1} \right\} z^6 + \dots \end{aligned}$$

Then it follows from the identity theorem that

$$\begin{aligned} a_{-1} &= 1, \\ a_1 &= \frac{1}{6} a_{-1} = \frac{1}{6}, \\ a_3 &= \frac{1}{6} a_1 - \frac{1}{120} a_{-1} = \frac{1}{36} - \frac{1}{120} = \frac{7}{360}, \\ a_5 &= \frac{1}{6} a_3 - \frac{1}{120} a_1 + \frac{1}{5040} a_{-1} = \frac{7}{6 \cdot 360} - \frac{1}{6 \cdot 120} + \frac{1}{5040} = \frac{7-3}{6 \cdot 360} + \frac{1}{5040} \\ &= \frac{1}{180} \left\{ \frac{1}{3} + \frac{1}{28} \right\} = \frac{31}{3 \cdot 180 \cdot 28} = \frac{31}{15120}. \end{aligned}$$

Finally, by insertion,

$$\frac{1}{\sin z} = \frac{1}{z} + \frac{1}{6} z + \frac{7}{360} z^3 + \frac{31}{15120} z^5 + \dots, \quad 0 < |z| < \pi.$$

**Example 2.20** Find the Laurent series expansions of the following functions:

$$(a) \frac{z}{z^2 - 1} \quad i \quad 1 < |z - 2| < 3, \quad (b) \frac{e^z}{z - 1} \quad i \quad |z| > 1.$$

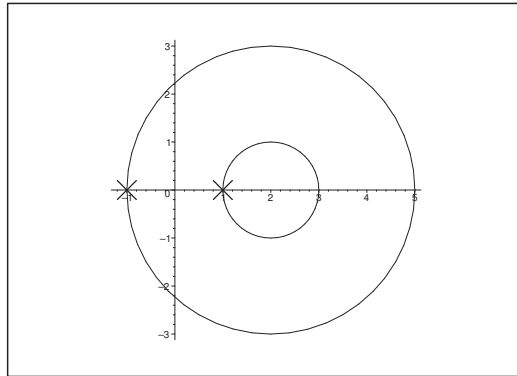


Figure 3: The annulus of centrum at  $z = 2$ , determined by the singularities  $z = \pm 1$ .

(a) The singular points are  $z = \pm 1$ , where the denominator is 0. Then apply a decomposition and change variable to  $z - 2$ ,

$$\begin{aligned} \frac{z}{z^2 - 1} &= \frac{z}{(z - 1)(z + 1)} = \frac{1}{2} \cdot \frac{1}{z - 1} + \frac{1}{2} \cdot \frac{1}{z + 1} = \frac{1}{2} \cdot \frac{1}{z - 2} \cdot \frac{1}{\frac{1}{z - 2}} + \frac{1}{6} \cdot \frac{1}{1 + \frac{z - 2}{3}} \\ &= \frac{1}{2} \cdot \frac{1}{z - 2} \sum_{n=0}^{+\infty} \frac{(-1)^n}{(z - 2)^n} + \frac{1}{6} \sum_{n=0}^{+\infty} \frac{1}{3^n} (z - 2)^n \\ &= \sum_{n=0}^{+\infty} \frac{1}{6 \cdot 3^n} (z - 2)^n - \sum_{n=1}^{+\infty} \frac{(-1)^n}{2} \cdot \frac{1}{(z - 2)^n} \end{aligned}$$

for  $1 < |z - 2| < 3$ .

(b) If  $|z| > 1$ , then

$$\frac{1}{z - 1} = \frac{1}{z} \cdot \frac{1}{1 - \frac{1}{z}} = \sum_{n=1}^{+\infty} \frac{1}{z^n} \quad \text{og} \quad e^z = \sum_{n=0}^{+\infty} \frac{1}{n!} z^n,$$

so by a *Cauchy multiplication*,

$$\frac{e^z}{z - 1} = \sum_{p=0}^{+\infty} \frac{1}{p!} z^p \sum_{q=1}^{+\infty} \frac{1}{z^q} = \sum_{p=0}^{+\infty} \sum_{q=1}^{+\infty} \frac{1}{p!} z^{p-q} \quad \text{for } |z| > 1.$$

If we put  $n = p - q \in \mathbb{Z}$ , then  $q = p - n \geq 1$ , i.e.  $p \geq n + 1$  and  $p \geq 0$ . Hence,

$$a_n = \sum_{p=n+1}^{+\infty} \frac{1}{p!} \quad \text{for } n > -1,$$

and

$$a_n = \sum_{p=0}^{+\infty} \frac{1}{p!} = e \quad \text{for } n \leq -1.$$

Finally, by insertion,

$$\frac{e^z}{z-1} = \sum_{n=1}^{+\infty} \frac{e}{z^n} + \sum_{n=0}^{+\infty} \left\{ \sum_{p=n+1}^{+\infty} \frac{1}{p!} \right\} z^n \quad \text{for } |z| > 1.$$

## Trust and responsibility

NNE and Pharmaplan have joined forces to create NNE Pharmaplan, the world's leading engineering and consultancy company focused entirely on the pharma and biotech industries.

Inés Aréizaga Esteva (Spain), 25 years old  
Education: Chemical Engineer

– You have to be proactive and open-minded as a newcomer and make it clear to your colleagues what you are able to cope. The pharmaceutical field is new to me. But busy as they are, most of my colleagues find the time to teach me, and they also trust me. Even though it was a bit hard at first, I can feel over time that I am beginning to be taken seriously and that my contribution is appreciated.

Please click the advert



NNE Pharmaplan is the world's leading engineering and consultancy company focused entirely on the pharma and biotech industries. We employ more than 1500 people worldwide and offer global reach and local knowledge along with our all-encompassing list of services.

[nnepharmaplan.com](http://nnepharmaplan.com)

**nne pharmaplan**<sup>®</sup>

**Example 2.21** Given the function  $f$  by

$$f(z) = \frac{5z}{6z^2 - z - 1}.$$

1) Find the largest annulus

$$R_1 < |z| < R_2, \quad \text{where } R_1 > 0 \text{ and } R_2 < +\infty,$$

in which  $f$  is analytic.

2) Find the power series from  $z_0 = 0$  of  $f$  in the domain  $|z| < R_1$ .

3) Find the Laurent series from  $z_0 = 0$  of  $f$  in the annulus  $R_1 < |z| < R_2$ .

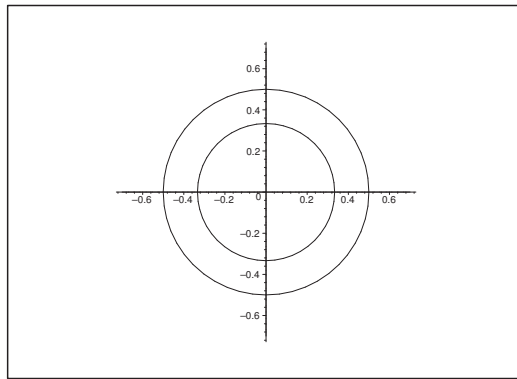


Figure 4: The open annular domain.

1) It follows from

$$6z^2 - z - 1 = 6 \left( z - \frac{1}{2} \right) \left( z + \frac{1}{3} \right),$$

that the singular points of the function are  $-\frac{1}{3}$  and  $\frac{1}{2}$ . Consequently,  $R_1 = \frac{1}{3}$  and  $R_2 = \frac{1}{2}$ , and the annulus becomes

$$\left\{ z \in \mathbb{C} \mid \frac{1}{3} < |z| < \frac{1}{2} \right\}.$$

2) If  $|z| < R_1 = \frac{1}{3}$ , then

$$\begin{aligned} f(z) &= \frac{5z}{6z^2 - z - 1} = \frac{5}{6} \cdot \frac{z}{\left( z - \frac{1}{2} \right) \left( z + \frac{1}{3} \right)} = \frac{5}{6} \cdot \frac{\frac{1}{2}}{\frac{1}{2} + \frac{1}{3}} \cdot \frac{1}{z - \frac{1}{2}} + \frac{5}{6} \cdot \frac{-\frac{1}{3}}{-\frac{1}{2} - \frac{1}{3}} \cdot \frac{1}{z + \frac{1}{3}} \\ &= \frac{1}{2z - 1} + \frac{1}{1 + 3z} = \frac{1}{1 + 3z} - \frac{1}{1 - 2z} = \sum_{n=0}^{+\infty} \{(-3)^n - 2^n\} z^n. \end{aligned}$$

3) If  $\frac{1}{3} < |z| < \frac{1}{2}$ , then

$$\begin{aligned} f(z) &= \frac{1}{2z-1} + \frac{1}{1+3z} = -\frac{1}{1-2z} + \frac{1}{3z} \cdot \frac{1}{1+\frac{1}{3z}} = -\sum_{n=0}^{+\infty} 2^n z^n + \frac{1}{3z} \sum_{n=0}^{+\infty} (-1)^n \cdot \frac{1}{3^n} \cdot \frac{1}{z^n} \\ &= -\sum_{n=0}^{+\infty} 2^n z^n + \sum_{n=1}^{+\infty} \frac{(-1)^{n-1}}{3^n} \cdot \frac{1}{z^n}. \end{aligned}$$

**Example 2.22** Find for each of the annuli

(a)  $0 < |z - z_0| < |z_0|$ ,

(b)  $|z_0| < |z - z_0| < +\infty$ ,

the Laurent series of the function

$$f(z) = \frac{1}{z(z-2)}$$

from  $z_0 = 2$ . The result shall be given in one of the forms

(a)  $f(z) = \sum_n a_n (z - z_0)^n$ ,

(b)  $f(z) = \sum_n b_n (z - z_0)^n$ .

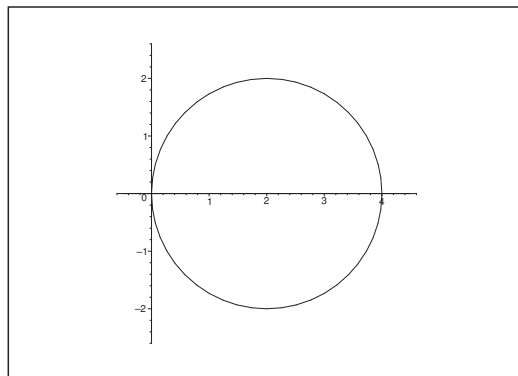


Figure 5: The limiting circle  $|z - 2| = 2$ .

(a) If  $0 < |z - 2| < 2$ , we put  $w = \frac{z-2}{2}$ . Then

$$0 < |w| < 1 \quad \text{and} \quad z = 2(w + 1),$$



and we get by the usual geometric series,

$$\begin{aligned} f(z) &= \frac{1}{z(z-2)} = \frac{1}{2(w+1) \cdot 2w} = \frac{1}{4w} \cdot \frac{1}{1+w} = \frac{1}{4w} \sum_{n=0}^{+\infty} (-1)^n w^n = \frac{1}{4} \sum_{n=-1}^{+\infty} (-1)^{n+1} w^n \\ &= \sum_{n=-1}^{+\infty} \frac{(-1)^{n+1}}{2^{n+2}} (z-2)^n \quad \text{for } 0 < |z-2| < 2. \end{aligned}$$

(b) If  $2 < |z-2| < +\infty$ , then  $|w| > 1$ , where  $w = \frac{z-2}{2}$  as above. We get by the well-known trick,

$$\begin{aligned} f(z) &= \frac{1}{4w} \cdot \frac{1}{1+w} = \frac{1}{4w^2} \cdot \frac{1}{1+\frac{1}{w}} = \frac{1}{4w^2} \sum_{n=0}^{+\infty} \frac{(-1)^n}{w^n} = \sum_{n=2}^{+\infty} \frac{(-1)^n}{4w^n} \\ &= \sum_{n=2}^{+\infty} (-1)^n 2^{n-2} \frac{1}{(z-2)^n} \quad \text{for } 2 < |z-2| < +\infty. \end{aligned}$$

**Example 2.23** Given the functions

$$f(z) = \frac{1}{1+z^2} \quad \text{and} \quad g(z) = \frac{1}{z^3(1+z^2)}.$$

- 1) Find the Taylor series of  $f$  with  $z_0 = 0$  as point of expansion, and determine its coefficients. Find the radius of convergence  $R$  of the series.
- 2) Find the Laurent series of  $g$  from  $z_0 = 0$  in the domain  $0 < |z| < R$ , and determine its coefficients.
- 3) Find the Laurent series of  $g$  from  $z_0 = 0$  in the domain  $|z| > R$ , and determine its coefficients.

1) Clearly,

$$f(z) = \frac{1}{1+z^2} = \sum_{n=0}^{+\infty} (-1)^n z^{2n} \quad \text{for } |z| < 1,$$

thus  $R = 1$ . It follows that

$$a_{2n+1} = 0 \quad \text{and} \quad a_{2n} = (-1)^n \quad \text{for } n \in \mathbb{N}_0,$$

and  $a_{2n} = 0$  otherwise.

2) The Laurent series of  $g(z)$  in  $0 < |z| < 1$  is according to (1) given by

$$g(z) = \frac{1}{z^3} f(z) = \sum_{n=0}^{+\infty} (-1)^n z^{2n-3}.$$

It follows that  $a_{2n} = 0$  and

$$a_{2n-3} = (-1)^n \quad \text{for } n \in \mathbb{N}_0,$$

and  $a_{2n-3} = 0$  otherwise.

3) If instead  $|z| > 1$ , then the Laurent series of  $g(z)$  is given by

$$g(z) = \frac{1}{z^3(1+z^2)} = \frac{1}{z^5} \cdot \frac{1}{1+\frac{1}{z^2}} = \frac{1}{z^5} \sum_{n=0}^{+\infty} \frac{(-1)^n}{z^{2n}} = \sum_{n=0}^{+\infty} (-1)^n z^{-2n-5}, \quad \text{for } |z| > 1.$$

Here,

$$a_{-2n-5} = (-1)^n \quad \text{for } n \in \mathbb{N}_0,$$

and  $a_m = 0$  for  $m \notin \{-2n-5 \mid n \in \mathbb{N}_0\}$ .

Please click the advert

**THE MILKROUND WAY**  
LAUNCHING GRADUATE CAREERS

**MILKROUND SYSTEM**  
Become a business star with internships, placements, graduate jobs & schemes from leading companies.  
[www.milkround.com](http://www.milkround.com)

**PLANET CAREER ADVICE**  
Inhabited by insights into business careers and orbited by application advice.

**FIRST CONTACT**  
Get matched to top business employers via intelligent emails landing in your inbox.

**Milkround.com: rated the #1 graduate recruitment website in the UK Graduate Careers Survey 2009 of 16,000 university finalists.**

**Milkround.com**

**Example 2.24** Given the functions

$$f(z) = \frac{e^z}{1+z} \quad \text{and} \quad g(z) = e^{z+1}.$$

1) Find the first five terms

$$a_0 + a_1z + a_2z^2 + a_3z^3 + a_4z^4$$

in the Taylor series of  $f$  with 0 as point of expansion.  
Specify the radius of convergence of the Taylor series.

2) Find the Taylor series of  $g$  with  $z_0 = -1$  as point of expansion.  
Determine the Laurent series of  $f$  in  $\mathbb{C} \setminus \{-1\}$ .

1) The function  $f(z) = \frac{e^z}{1+z}$  is analytic in  $\mathbb{C} \setminus \{-1\}$ , where  $-1$  is a simple pole. Hence the Taylor series from 0 is convergent for  $|z| < 1$ , i.e. in the open unit disc.

The first five terms of the Taylor series are found by termwise multiplication,

$$\begin{aligned} f(z) &= \frac{e^z}{1+z} = a_0 + a_1z + a_2z^2 + a_3z^3 + a_4z^4 + \dots \\ &= \left\{ 1 + \frac{z}{1!} + \frac{z^2}{2!} + \frac{z^3}{3!} + \frac{z^4}{4!} + \dots \right\} \{1 - z + z^2 - z^3 + z^4 - \dots\} \\ &= 1 + (1-1)z + \left(\frac{1}{2} - 1 + 1\right)z^2 + \left(\frac{1}{6} - \frac{1}{2} + 1 - 1\right)z^3 + \left(\frac{1}{24} - \frac{1}{6} + \frac{1}{2} - 1 + 1\right)z^4 + \dots \\ &= 1 + \frac{1}{2}z^2 - \frac{1}{3}z^3 + \frac{3}{8}z^4 + \dots \end{aligned}$$

2) Since  $g(z) = e^{z+1}$  is analytic in  $\mathbb{C}$ , and the point of expansion is  $-1$ , we get

$$g(z) = e^{z+1} = \sum_{n=0}^{+\infty} \frac{1}{n!} (z+1)^n, \quad z \in \mathbb{C}.$$

When we shall find the Laurent series of  $f$  in  $\mathbb{C} \setminus \{-1\}$ , it is tacitly understood that  $z_0 = -1$  is the point of expansion. We find

$$f(z) = \frac{e^z}{1+z} = \frac{1}{e} \cdot \frac{e^{z+1}}{z+1} = \frac{1}{e} \sum_{n=0}^{+\infty} \frac{1}{n!} (z+1)^{n-1} = \frac{1}{e} \cdot \frac{1}{z+1} + \sum_{n=0}^{+\infty} \frac{1}{e} \cdot \frac{1}{(n+1)!} (z+1)^n.$$

**Example 2.25** Denote by  $c$  any complex number, and define for any fixed  $c$  a function  $f_c$  by

$$f_c(z) = \left( \frac{1}{z^2} + \frac{c}{z^4} \right) \sin z.$$

1) Determine in the domain  $\mathbb{C} \setminus \{0\}$  the Laurent series

$$\sum_{n=1}^{+\infty} \frac{b_n}{z^n} + \sum_{n=0}^{+\infty} a_n z^n$$

for  $f_c$ .

Determine the coefficients  $b_n$  and  $a_n$ .

2) Find for any  $c$  the value of the integral

$$\oint_{|z|=1} f_c(z) dz.$$

3) Put  $c = 6$ . Explain why  $f_6$  has a primitive in the domain  $\mathbb{C} \setminus \{0\}$ , and find the Laurent series of any primitive of  $f_6$ .

4) Discuss if  $c \neq 6$  why  $f_c$  does not have a primitive in  $\mathbb{C} \setminus \{0\}$ .

1) Inserting the series expansion of  $\sin z$ , we get for  $z \neq 0$  that

$$\begin{aligned} f_c(z) &= \left( \frac{1}{z^2} + \frac{c}{z^4} \right) \sin z = \frac{1}{z^2} \sum_{n=0}^{+\infty} \frac{(-1)^n}{(2n+1)!} z^{2n+1} + \frac{c}{z^4} \sum_{n=0}^{+\infty} \frac{(-1)^n}{(2n+1)!} z^{2n+1} \\ &= \sum_{n=-1}^{+\infty} \frac{(-1)^{n+1}}{(2n+3)!} z^{2n+1} + \sum_{n=-2}^{+\infty} c \frac{(-1)^{n+2}}{(2n+5)!} z^{2n+1} \\ &= \frac{c}{z^3} + \left( 1 - \frac{c}{3!} \right) \frac{1}{z} + \sum_{n=0}^{+\infty} (-1)^n \left\{ \frac{c}{(2n+5)!} - \frac{1}{(2n+3)!} \right\} z^{2n+1}. \end{aligned}$$

It follows that

$$b_1 = 1 - \frac{c}{3!}, \quad b_3 = c \quad \text{and} \quad b_n = 0 \quad \text{otherwise,}$$

and

$$a_{2n} = 0, \quad n \in \mathbb{N}_0, \quad a_{2n+1} = (-1)^n \left\{ \frac{c}{(2n+5)!} - \frac{1}{(2n+3)!} \right\}, \quad n \in \mathbb{N}_0.$$

2) Now  $f_c$  is analytic in  $\mathbb{C} \setminus \{0\}$ , so it follows from the residue theorem that

$$\oint_{|z|=1} f_c(z) dz = 2\pi i \operatorname{res}(f_c; 0) = 2\pi i \left( 1 - \frac{c}{6} \right).$$

3) If  $c = 6$ , then

$$f_6(z) = \frac{6}{z^3} + \sum_{n=0}^{+\infty} \left\{ \frac{6}{(2n+5)!} - \frac{1}{(2n+3)!} \right\} z^{2n+1}, \quad z \neq 0.$$

If  $z \neq 0$ , then this clearly has the primitive

$$\begin{aligned} F_6(z) &= -\frac{3}{z^2} + \sum_{n=0}^{+\infty} \frac{(-1)^n}{2n+2} \left\{ \frac{6}{(2n+5)!} - \frac{1}{(2n+3)!} \right\} z^{2n+2} \\ &= -\frac{3}{z^2} + \sum_{n=1}^{+\infty} \frac{(-1)^{n-1}}{2n} \left\{ \frac{6}{(2n+3)!} - \frac{1}{(2n+1)!} \right\} z^{2n} \\ &= -\frac{3}{z^2} + \sum_{n=1}^{+\infty} \frac{(-1)^{n-1}}{2n} \cdot \frac{1}{(2n+3)!} \{6 - (2n+3)(2n+2)\} z^{2n} \\ &= -\frac{3}{z^2} + \sum_{n=1}^{+\infty} \frac{(-1)^{n-1}}{2n} \cdot \frac{1}{(2n+3)!} (-1)\{2n+3+2\}(2n) z^{2n} \\ &= -\frac{3}{z^2} + \sum_{n=1}^{+\infty} \frac{(-1)^n}{(2n+3)!} \cdot (2n+5) z^{2n}, \end{aligned}$$

where we may add any arbitrary constant.

Please click the advert

**CHALLENGE YOURSELF**

**WWW.STUDYINSWEDEN.SE**

Today's job market values ambitious, innovative, perceptive team players. Swedish universities foster these qualities through a forward-thinking culture where you're close to the latest ideas and global trends.

Whatever your career goals may be, studying in Sweden will give you valuable skills and a competitive advantage for your future. [www.studyinsweden.se](http://www.studyinsweden.se)

**Si.**  
Swedish Institute

Download free books at BookBooN.com

- 4) If  $c \neq 6$ , then the Laurent series contains a term of the type  $\frac{c}{z}$ , and it is well-known that this does not have any primitive in  $\mathbb{C} \setminus \{0\}$ .  
A primitive is e.g.  $\text{Log } z$ , and this is only defined in the plane with a branch cut along the negative real axis, including 0.

**Example 2.26** Given the function

$$f(z) = \frac{z+2}{1-z^2}.$$

- 1) Find the Taylor series  $\sum_{n=0}^{+\infty} a_n z^n$  of  $f$  with the point of expansion  $z_0 = 0$ , and determine its coefficients.  
Find also the radius of convergence  $R$ .
- 2) Find the Laurent series of  $f$  from the point  $z_0 = 0$  in the domain  $|z| > R$ , and determine its coefficients.
- 3) Find the Laurent series of  $f$  in the largest possible annulus

$$0 < |z-1| < r.$$

Find its coefficients and the outer radius  $r$ .

- 1) The function

$$f(z) = \frac{z+2}{1-z^2}$$

has the poles  $\pm 1$ , so the radius of convergence (from  $z_0 = 0$ ) is  $R = 1$ . For  $|z| < 1$  we have the Taylor series

$$f(z) = (z+2) \cdot \frac{1}{1-z^2} = (z+2) \sum_{n=0}^{+\infty} z^{2n} = \sum_{n=0}^{+\infty} z^{2n+1} + \sum_{n=0}^{+\infty} 2z^{2n}, \quad |z| < 1.$$

By identification,

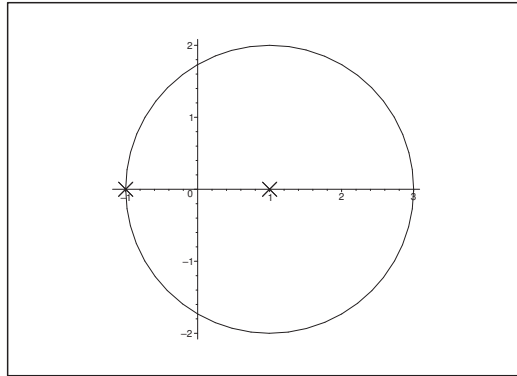
$$a_n = \begin{cases} 2 & \text{for } n \text{ even,} \\ 1 & \text{for } n \text{ odd,} \end{cases} \quad n \in \mathbb{N}_0.$$

- 2) If  $|z| > 1$ , then

$$\left| \frac{1}{z^2} \right| < 1,$$

and thus

$$f(z) = -\frac{z+2}{z^2} \cdot \frac{1}{1-\frac{1}{z^2}} = -\left(\frac{1}{z} + \frac{2}{z^2}\right) \sum_{n=0}^{+\infty} \frac{1}{z^{2n}} = -\sum_{n=0}^{+\infty} \frac{1}{z^{2n+1}} - \sum_{n=1}^{+\infty} \frac{2}{z^{2n}}, \quad |z| > 1.$$

Figure 6: The disc  $\{z \in \mathbb{C} \mid 0 < |z| < 2\}$  without its centrum.

It follows that

$$b_n = \begin{cases} -1 & \text{for } n \text{ odd,} \\ -2 & \text{for } n \text{ even,} \end{cases} \quad n \in \mathbb{N}.$$

- 3) The singularities are 1 and  $-1$ , so  $r = 2$ . Putting  $w = z - 1$ , it follows for  $0 < |w| = |z - 1| < 2$  that

$$0 < \left| \frac{w}{2} \right| < 1,$$

hence

$$\begin{aligned} f(z) &= \frac{z+2}{1-z^2} = -\frac{(z-1)+3}{(z-1)(z+1)} = -\frac{w+3}{w(w+2)} = -\frac{w+3}{2w} \cdot \frac{1}{1+\frac{w}{2}} \\ &= -\left\{ \frac{1}{2} + \frac{3}{2} \cdot \frac{1}{w} \right\} \sum_{n=0}^{+\infty} \frac{(-1)^n}{2^n} w^n = \sum_{n=0}^{+\infty} \frac{(-1)^{n+1}}{2^{n+1}} w^n + \sum_{n=0}^{+\infty} 3 \frac{(-1)^{n-1}}{2^{n+1}} w^{n-1} \\ &= \sum_{n=0}^{+\infty} \frac{(-1)^{n+1}}{2^{n+1}} w^n - \frac{3}{2} \cdot \frac{1}{w} + \sum_{n=0}^{+\infty} 3 \frac{(-1)^n}{2^{n+2}} w^n = -\frac{3}{2} \cdot \frac{1}{w} + \sum_{n=0}^{+\infty} (-1)^n \cdot \frac{1}{2^{n+2}} w^n \\ &= -\frac{3}{2} \cdot \frac{1}{2} z^{-1} - 1 + \sum_{n=0}^{+\infty} \frac{(-1)^n}{2^{n+2}} \cdot (z-1)^n, \quad 0 < |z-1| < 2, \end{aligned}$$

and thus

$$b_1 = -\frac{3}{2} \quad \text{and} \quad a_n = \frac{(-1)^n}{2^{n+2}}, \quad n \in \mathbb{N}_0.$$

**Example 2.27** Given the function

$$f(z) = 2 - z^2 - 2 \cos z.$$

1) Find the Maclaurin series of  $f$  and its radius of convergence.  
Determine the order of the zero of  $f$  at  $z = 0$ .

2) Then put

$$g(z) = f\left(\frac{1}{z}\right) \quad \text{for } z \neq 0.$$

Find the Laurent series of  $g$  in the set  $|z| > 0$ .  
Determine the type of the singularities of  $g$  at  $z = 0$ .

3) Put

$$h(z) = \frac{1}{f(z)}.$$

Find the type of the singularity of  $h$  at  $z = 0$ .  
Determine the coefficients  $a_{-j}$  for every  $j > 0$  of the Laurent series of  $h$ ,

$$\sum_{j=1}^{+\infty} a_{-j} z^{-j} + \sum_{j=0}^{+\infty} a_j z^j$$

in a neighbourhood of  $z = 0$ , where  $z \neq 0$ .

1) The function  $f(z)$  is analytic in  $\mathbb{C}$ , so the radius of convergence is  $+\infty$ .  
By insertion of the power series of  $\cos z$  we get

$$f(z) = 2 - z^2 - 2 \sum_{n=0}^{+\infty} \frac{(-1)^n}{(2n)!} z^{2n} = -2 \sum_{n=2}^{+\infty} \frac{(-1)^n}{(2n)!} z^{2n} = \sum_{n=2}^{+\infty} \frac{2(-1)^{n+1}}{(2n)!} z^{2n}.$$

It follows immediately that  $f(z)$  has a zero of order 4 at  $z = 0$ .

2) If  $z \neq 0$ , it follows from (1) that the Laurent series of  $g(z) = f\left(\frac{1}{z}\right)$  is

$$g(z) = \sum_{n=2}^{+\infty} \frac{2(-1)^{n+1}}{(2n)!} \frac{1}{z^{2n}}, \quad |z| > 0,$$

and it follows that  $z = 0$  is an essential singularity.

3) Since  $f(z)$  has a zero of order 4, the function  $h(z) = \frac{1}{f(z)}$  has a pole of order 4 at 0. Hence,

$$h(z) = \frac{a_{-4}}{z^4} + \frac{a_{-3}}{z^3} + \frac{a_{-2}}{z^2} + \frac{a_{-1}}{z} + \sum_{j=0}^{+\infty} a_j z^j, \quad z \neq 0.$$



Since  $f(z)$  is even,  $h(z)$  is also even. This implies that  $a_{-3} = a_{-1} = 0$  in the following expansion,

$$\begin{aligned} 1 &= f(z) \cdot h(z) \\ &= \left\{ -\frac{2}{4!} z^4 + \frac{2}{6!} z^6 - \frac{2}{8!} z^8 + \dots \right\} \left\{ \frac{a_{-4}}{z^4} + \frac{a_3}{z^3} + \frac{a_{-2}}{z^2} + \frac{a_{-1}}{z} + \dots \right\} \\ &= \left\{ -\frac{2}{4!} + \frac{2}{6!} z^2 - \frac{2}{8!} z^4 + \dots \right\} \{ a_{-4} + a_{-2} z^2 + \dots \} \\ &= -\frac{1}{12} a_{-4} + \left\{ \frac{2}{6!} a_{-4} - \frac{2}{4!} a_{-2} \right\} z^2 + \dots \end{aligned}$$

We get

$$a_{-4} = -12 \quad \text{and} \quad a_{-2} = \frac{2}{6!} \cdot \frac{4!}{2} a_{-4} = \frac{-12}{5 \cdot 6} = -\frac{2}{5}.$$

Summing up we get

$$a_{-4} = -12, \quad a_{-3} = 0, \quad a_{-2} = -\frac{2}{5}, \quad a_{-1} = 0.$$

Please click the advert



## DIVERSE - INNOVATIVE - INTERNATIONAL

**Are you considering a European business degree?**

Copenhagen Business School is one of the largest business schools in Northern Europe with more than 15,000 students from Europe, North America, Australia and Asia.

Are you curious to know how a modern European business school competes with a diverse, innovative and international study environment?

Please visit Copenhagen Business School at [www.cbs.dk](http://www.cbs.dk)



**Copenhagen Business School**  
HANDELSHØJSKOLEN

Diversity creating knowledge



**Example 2.28** Given the functions

$$f(z) = \frac{1}{1-z} \quad \text{and} \quad g(z) = z^2 f''(z) + z f'(z).$$

1) Find the Maclaurin series of  $f$ .

Find also the Maclaurin series of  $g$  and the coefficients of this series.

2) Find the Laurent series of  $f$  in the annulus  $|z| > 1$ .

Also, find the Laurent series of  $g$  in the same annulus and the coefficients of this series.

3) Finally, find the Laurent series of  $g$  in the set defined by  $|z - 1| > 0$ .

1) The Maclaurin series of  $f$  is given by

$$f(z) = \sum_{n=0}^{+\infty} z^n, \quad |z| < 1.$$

Hence by termwise differentiation and insertion,

$$\begin{aligned} g(z) &= z^2 \sum_{n=2}^{+\infty} n(n-1)z^{n-2} + z \sum_{n=1}^{+\infty} n z^{n-1} = \sum_{\substack{n=2 \\ (n=0)}}^{+\infty} n(n-1)z^n + \sum_{\substack{n=1 \\ (n=0)}}^{+\infty} n z^n \\ &= \sum_{n=0}^{+\infty} n^2 z^n = \sum_{n=1}^{+\infty} n^2 z^n, \quad \text{for } |z| < 1. \end{aligned}$$

2) If  $|z| > 1$ , then

$$f(z) = \frac{1}{1-z} = \frac{1}{z} \cdot \frac{1}{1-\frac{1}{z}} = \frac{1}{z} \sum_{n=0}^{+\infty} \frac{1}{z^n} = \sum_{n=1}^{+\infty} \frac{1}{z^n} = \sum_{n=1}^{+\infty} z^{-n},$$

hence

$$f'(z) = - \sum_{n=1}^{+\infty} n z^{-n-1} \quad \text{and} \quad f''(z) = + \sum_{n=1}^{+\infty} n(n+1)z^{-n-2}, \quad |z| > 1,$$

thus

$$\begin{aligned} g(z) &= z^2 f''(z) + z f'(z) = \sum_{n=1}^{+\infty} n(n+1)z^{-n} - \sum_{n=1}^{+\infty} n z^{-n} \\ &= \sum_{n=1}^{+\infty} n^2 z^{-n} = \sum_{n=1}^{+\infty} \frac{n^2}{z^n} \quad \text{for } |z| > 1. \end{aligned}$$

3) If  $z \neq 1$ , then

$$f(z) = \frac{1}{1-z}, \quad f'(z) = \frac{1}{(1-z)^2}, \quad f''(z) = \frac{2}{(1-z)^3},$$

hence

$$\begin{aligned}
 g(z) &= z^2 f''(z) + z f'(z) = \frac{2z^2}{(1-z)^3} + \frac{z}{(1-z)^2} \\
 &= -\frac{2}{(z-1)^3} \{(z-1)+1\}^2 + \frac{z-1+1}{(z-1)^2} \\
 &= \frac{-2}{(z-1)^3} \{(z-1)^2 + 2(z-1) + 1\} + \frac{1}{(z-1)^2} + \frac{1}{z-1} \\
 &= -\frac{2}{z-1} - \frac{4}{(z-1)^2} - \frac{2}{(z-1)^3} + \frac{1}{(z-1)^2} + \frac{1}{z-1} \\
 &= -\frac{2}{(z-1)^3} - \frac{3}{(z-1)^2} - \frac{1}{z-1} \quad \text{for } |z-1| > 0,
 \end{aligned}$$

which we consider as a degenerated Laurent series from  $z_1 = 1$  with only three terms.

**Example 2.29** Given the function

$$f(z) = \frac{1}{z^2(z-4)}.$$

- 1) Find the Laurent series of  $f$  in the annulus  $0 < |z| < 4$ .
- 2) Find the Laurent series of  $f$  in the set  $4 < |z|$ .
- 3) Compute the integrals

$$\oint_{|z|=1} f(z) dz \quad \text{and} \quad \oint_{|z|=5} f(z) dz.$$

- 1) If  $0 < |z| < 4$ , then  $\left|\frac{z}{4}\right| < 1$ , hence

$$\begin{aligned}
 f(z) &= \frac{1}{z^2(z-4)} = -\frac{1}{4z^2} \cdot \frac{1}{1-\frac{z}{4}} = -\frac{1}{4z^2} \sum_{n=0}^{+\infty} \frac{z^n}{4^n} = \sum_{n=0}^{+\infty} \left(-\frac{1}{4^{n+1}}\right) z^{n-2} \\
 &= \sum_{n=-2}^{+\infty} \left(-\frac{1}{4^{n+3}}\right) z^n, \quad 0 < |z| < 4.
 \end{aligned}$$

- 2) If instead  $|z| > 4$ , then  $\left|\frac{4}{z}\right| < 1$ , hence

$$f(z) = \frac{1}{z^2(z-4)} = \frac{1}{z^3} \cdot \frac{1}{1-\frac{4}{z}} = \frac{1}{z^3} \sum_{n=0}^{+\infty} \frac{4^n}{z^n} = \sum_{n=3}^{+\infty} \frac{4^{n-3}}{z^n}.$$

- 3) The closed curve  $|z| = 1$  lies in the annulus  $0 < |z| < 4$ , so if we apply the Laurent series from (1), we get

$$\oint_{|z|=1} f(z) dz = 2\pi i a_{-1} = 2\pi i \cdot \left(-\frac{1}{4^2}\right) = -\frac{\pi i}{8}.$$

The closed curve  $|z| = 5$  lies in the set  $|z| > 4$ , so if we apply the Laurent series from (2), we get

$$\oint_{|z|=5} f(z) dz = 2\pi i \tilde{a}_{-1} = 0.$$

**Example 2.30** Let  $c$  denote any complex number, and define the function  $f_c$  by

$$f_c(z) = \left(\frac{1}{z} - \frac{c}{z^2}\right) e^z.$$

- 1) Find the Laurent series  $\sum_{-\infty}^{+\infty} a_j z^j$  of  $f_c$  in  $\mathbb{C} \setminus \{0\}$ , and determine the coefficients  $a_j$  for every  $j$ .
- 2) Explain why the Laurent series of  $f_c$  is uniformly convergent on the circle  $|z| = 1$ . Find for every constant  $c$  the value of the line integral

$$\oint_{|z|=1} f_c(z) dz.$$

- 3) Discuss, why  $f_c$  does not have a primitive in the set  $\mathbb{C} \setminus \{0\}$ , when  $c \neq 1$ .
- 4) Put  $c = 1$ . Prove that  $f_1$  has a primitive in  $\mathbb{C} \setminus \{0\}$ . Find the Laurent series in  $\mathbb{C} \setminus \{0\}$  of a primitive  $F_1$  of  $f_1$ .

- 1) If  $z \neq 0$ , then the Laurent series is given by

$$\begin{aligned} f_c(z) &= \left(\frac{1}{z} - \frac{c}{z^2}\right) e^z = \left(\frac{1}{z} - \frac{c}{z^2}\right) \sum_{n=0}^{+\infty} \frac{1}{n!} z^n = \sum_{n=0}^{+\infty} \frac{1}{n!} z^{n-1} - \sum_{n=0}^{+\infty} \frac{c}{n!} z^{n-2} \\ &= \sum_{n=-1}^{+\infty} \frac{1}{(n+1)!} z^n - \sum_{n=-2}^{+\infty} \frac{c}{(n+2)!} z^n = -\frac{c}{z^2} + \frac{1-c}{z} + \sum_{n=0}^{+\infty} \left\{ \frac{1}{(n+1)!} - \frac{c}{(n+2)!} \right\} z^n \\ &= -\frac{c}{z^2} + \frac{1-c}{z} + \sum_{n=0}^{+\infty} \frac{n+2-c}{(n+2)!} z^n. \end{aligned}$$

The coefficients are then

$$a_{-2} = -c, \quad a_{-1} = 1 - c,$$

and

$$a_n = \frac{1}{(n+1)!} - \frac{c}{(n+2)!}, \quad \text{for } n \geq 0.$$

2) We have the following estimate, when  $|z| = 1$ ,

$$\begin{aligned} \left| -\frac{c}{z^2} + \frac{1-c}{z} + \sum_{n=0}^{+\infty} \left\{ \frac{1}{(n+1)!} - \frac{c}{(n+2)!} \right\} z^n \right| &\leq |c| + |1-c| + \sum_{n=0}^{+\infty} \frac{1}{n!} + |c| \sum_{n=0}^{+\infty} \frac{1}{n!} \\ &\leq |c| + |1-c| + (1+|c|)e < +\infty, \end{aligned}$$

proving that the Laurent series is uniformly convergent on  $|z| = 1$ .

We get by termwise integration,

$$\oint_{|z|=1} f_c(z) dz = 2i\pi a_{-1} = 2i\pi(1-c).$$

3) A *necessary* condition for  $f_c$  having a primitive is

$$\oint_{|z|=1} f_c(z) dz = 0.$$

When  $c \neq 1$ , we see that this condition is *not* fulfilled, so in this case a primitive does not exist in  $\mathbb{C} \setminus \{0\}$ .

4) If  $c = 1$ , then

$$f_1(z) = -\frac{1}{z^2} + \sum_{n=0}^{+\infty} \left\{ \frac{1}{(n+1)!} - \frac{1}{(n+2)!} \right\} z^n = -\frac{1}{z^2} + \sum_{n=0}^{+\infty} \left\{ \frac{n+1}{(n+2)!} \right\} z^n.$$

Here,  $-\frac{1}{z^2}$  has the primitive  $\frac{1}{z}$ , and since the series

$$\varphi(z) = \sum_{n=0}^{+\infty} \frac{n+1}{(n+2)!} z^n$$

is analytic in  $\mathbb{C}$ , it follows that  $\varphi(z)$  has a primitive, thus

$$f_1(z) = -\frac{1}{z^2} + \varphi(z), \quad z \in \mathbb{C} \setminus \{0\},$$

has a primitive. Then by termwise integration of the Laurent series expansion it follows that all primitives are given by

$$F_1(z) = \frac{1}{z} + k + \sum_{n=1}^{+\infty} \frac{1}{(n+1)!} z^n, \quad z \neq 0,$$

where  $k \in \mathbb{C}$  is an arbitrary constant.

**Remark 2.2** Here it is not hard to find an exact expression of the primitives  $F_1(z)$ ,  $z \neq 0$ , by elementary functions. In fact,

$$\begin{aligned} F_1(z) &= \frac{1}{z} + k + \sum_{n=1}^{+\infty} \frac{1}{(n+1)!} z^n = k - 1 + \sum_{n=-1}^{+\infty} \frac{1}{(n+1)!} z^n = \\ &= k - 1 + \frac{e^z}{z}, \quad z \neq 0. \quad \diamond \end{aligned}$$

### 3 Fourier series

**Example 3.1** Find the value of the integral

$$I(r) = \int_0^{2\pi} \frac{1 + r e^{it}}{1 - r e^{it}} dt \quad \text{for } r \neq 1.$$

HINT: Consider the function  $f(z) = \frac{1+z}{1-z}$ .

If  $r = 0$ , then

$$I(0) = \int_0^{2\pi} 1 dt = 2\pi.$$

Let  $r \neq 0$  and  $r \neq 1$ . Denote by  $C$  the circle  $|z| = r$  with positive direction (assuming that  $r > 0$ ), so we have the parametric description

$$z = r e^{it} \quad \text{and} \quad dz = i r e^{it} dt.$$

Please click the advert



## Sharp Minds - Bright Ideas!

Employees at FOSS Analytical A/S are living proof of the company value - First - using new inventions to make dedicated solutions for our customers. With sharp minds and cross functional teamwork, we constantly strive to develop new unique products - Would you like to join our team?

FOSS works diligently with innovation and development as basis for its growth. It is reflected in the fact that more than 200 of the 1200 employees in FOSS work with Research & Development in Scandinavia and USA. Engineers at FOSS work in production, development and marketing, within a wide range of different fields, i.e. Chemistry, Electronics, Mechanics, Software, Optics, Microbiology, Chemometrics.

**We offer**  
*A challenging job in an international and innovative company that is leading in its field. You will get the opportunity to work with the most advanced technology together with highly skilled colleagues.*

*Read more about FOSS at [www.foss.dk](http://www.foss.dk) - or go directly to our student site [www.foss.dk/sharpminds](http://www.foss.dk/sharpminds) where you can learn more about your possibilities of working together with us on projects, your thesis etc.*

The Family owned FOSS group is the world leader as supplier of dedicated, high-tech analytical solutions which measure and control the quality and production of agricultural, food, pharmaceutical and chemical products. Main activities are initiated from Denmark, Sweden and USA with headquarters domiciled in Hillerød, DK. The products are marketed globally by 23 sales companies and an extensive net of distributors. In line with the corevalue to be 'First', the company intends to expand its market position.








Dedicated Analytical Solutions

FOSS  
 Slangerupgade 69  
 3400 Hillerød  
 Tel. +45 70103370  
[www.foss.dk](http://www.foss.dk)

Then

$$\begin{aligned}\oint_C f(z) dz &= \oint_C \frac{1+z}{1-z} dz = \int_0^{2\pi} \frac{1+re^{it}}{1-re^{it}} \cdot ir e^{it} dt = -i \int_0^{2\pi} \frac{1+re^{it}}{1-re^{it}} (1-re^{it}-1) dt \\ &= -i \int_0^{2\pi} (1+re^{it}) dt + i \int_0^{2\pi} \frac{1+re^{it}}{1-re^{it}} dt.\end{aligned}$$

Then apply *Cauchy's integral theorem* and *Cauchy's integral formula* respectively,

$$\oint_C f(z) dz = \begin{cases} 0 & \text{for } r \in ]0, 1[, \\ -4\pi i, & \text{for } r > 1. \end{cases}$$

Hence by a rearrangement and insertion,

$$\int_0^{2\pi} \frac{1+re^{it}}{1-re^{it}} dt = 2\pi + \frac{1}{i} \oint_C f(z) dz = \begin{cases} 2\pi & \text{for } r \in [0, 1[, \\ -2\pi & \text{for } r > 1. \end{cases}$$

We note that if  $r < 0$ , then due to the periodicity,

$$\int_0^{2\pi} \frac{1+re^{it}}{1-re^{it}} dt = \int_0^{2\pi} \frac{1-|r|e^{it}}{1+|r|e^{it}} dt = \int_0^{2\pi} \frac{1+|r|e^{i(t+\pi)}}{1-|r|e^{i(t+\pi)}} dt = \int_0^{2\pi} \frac{1+|r|e^{it}}{1-|r|e^{it}} dt.$$

Hence,  $I(-r) = I(r)$ , and we see that  $I(r)$  is not defined for  $r = \pm 1$ , and that

$$I(r) = \int_0^{2\pi} \frac{1+re^{it}}{1-re^{it}} dt = \begin{cases} 2\pi & \text{for } |r| < 1, \\ -2\pi & \text{for } |r| > 1, \end{cases} \quad r \in \mathbb{R} \setminus \{-1, 1\}.$$

**Example 3.2** Find the Laurent series of  $\frac{1}{1-z}$ , when  $|z| > 1$ . Then find the Fourier series of

$$\varphi(\theta) = \frac{1-r\cos\theta}{1+r^2-2r\cos\theta}, \quad \psi(\theta) = \frac{r\sin\theta}{1+r^2-2r\cos\theta}, \quad r > 1.$$

It follows from  $|z| > 1$  that

$$\frac{1}{1-z} = -\frac{1}{z} \cdot \frac{1}{1-\frac{1}{z}} = -\frac{1}{z} \sum_{n=0}^{+\infty} \frac{1}{z^n} = -\sum_{n=1}^{+\infty} \frac{1}{z^n}, \quad |z| > 1.$$

Then put  $z = re^{i\theta}$ ,  $r > 1$ , to get

$$\frac{1}{1-z} = \frac{1}{1-re^{i\theta}} = \frac{1-r\cos\theta + ir\sin\theta}{(1-r\cos\theta)^2 + (r\sin\theta)^2} = \frac{1-r\cos\theta + i \cdot r\sin\theta}{1+r^2-2r\cos\theta} = \varphi(\theta) + i\psi(\theta),$$

and

$$\frac{1}{1-z} = -\sum_{n=1}^{+\infty} \frac{1}{z^n} = -\sum_{n=1}^{+\infty} \frac{1}{r^n} e^{-in\theta} = -\sum_{n=1}^{+\infty} \frac{1}{r^n} \cos n\theta + i \sum_{n=1}^{+\infty} \frac{1}{r^n} \sin n\theta.$$

Finally, when we separate the real and the imaginary parts, we get

$$\varphi(\theta) = \frac{1 - r \cos \theta}{1 + r^2 - 2r \cos \theta} = - \sum_{n=1}^{+\infty} \frac{1}{r^n} \cos n\theta, \quad r > 1,$$

$$\psi(\theta) = \frac{r \sin \theta}{1 + r^2 - 2r \cos \theta} = \sum_{n=1}^{+\infty} \frac{1}{r^n} \sin n\theta, \quad r > 1.$$

**Example 3.3** Prove for  $0 < |z| < 4$  that

$$\frac{1}{4z - z^2} = \sum_{n=0}^{+\infty} \frac{z^{n-1}}{4^{n+1}}.$$

Then find the Fourier series of

$$(a) \frac{4 \cos \theta - \cos 2\theta}{17 - 8 \cos \theta}, \quad (b) \frac{\sin \theta - 4 \sin \theta}{17 - 8 \cos \theta}.$$

If  $0 < |z| < 4$ , then  $0 < \left| \frac{z}{4} \right| < 1$ , and we get by an application of the geometric series that

$$\frac{1}{4z - z^2} = \frac{1}{4z} \cdot \frac{1}{1 - \frac{z}{4}} = \frac{1}{4z} \sum_{n=0}^{+\infty} \frac{z^n}{4^n} = \sum_{n=0}^{+\infty} \frac{z^{n-1}}{4^{n+1}}.$$

If we put  $z = e^{i\theta}$ , then  $|z| = 1 < 4$ , and it follows by insertion and reduction that

$$\begin{aligned} \frac{1}{4z - z^2} &= \frac{1}{4e^{i\theta} - e^{2i\theta}} = \frac{4e^{-i\theta} - e^{-2i\theta}}{(4e^{i\theta} - e^{2i\theta})(4e^{-i\theta} - e^{-2i\theta})} = \frac{4 \cos \theta - \cos 2\theta + i(\sin 2\theta - 4 \sin \theta)}{16 + 1 - 4e^{i\theta} - 4e^{-i\theta}} \\ &= \frac{4 \cos \theta - \cos 2\theta}{17 - 8 \cos \theta} + i \frac{\sin 2\theta - 4 \sin \theta}{17 - 8 \cos \theta} = \sum_{n=0}^{+\infty} \frac{e^{i(n-1)\theta}}{4^{n+1}} = \sum_{n=0}^{+\infty} \frac{\cos(n-1)\theta}{4^{n+1}} + i \sum_{n=0}^{+\infty} \frac{\sin(n-1)\theta}{4^{n+1}}. \end{aligned}$$

Finally, when we separate the real and the imaginary parts,

(a) *Real part.*

$$\frac{4 \cos \theta - \cos 2\theta}{17 - 8 \cos \theta} = \sum_{n=0}^{+\infty} \frac{\cos(n-1)\theta}{4^{n+1}} = \frac{1}{16} + \frac{17}{64} \cos \theta + \sum_{n=2}^{+\infty} \frac{1}{4^{n+2}} \cos n\theta.$$

(b) *Imaginary part.*

$$\frac{\sin 2\theta - 4 \sin \theta}{17 - 8 \cos \theta} = \sum_{n=0}^{+\infty} \frac{(n-1)\theta}{4^{n+1}} = -\frac{15}{64} \sin \theta + \sum_{n=2}^{+\infty} \frac{1}{4^{n+2}} \sin n\theta.$$



## 4 Laurent series solution of differential equations

**Example 4.1** Find all Laurent series from 0, which are a solution of the differential equation

$$z^3 f'(z) + f(z) = 0,$$

and determine its domain of convergence.

**Remark 4.1** It is actually possible to solve the equation by inspection. However, since the trick is far from evident, we shall here start with the standard solution.  $\diamond$

*Laurent series solution.* Since  $z_0 = 0$  is a singular point of the differential equation, we can *at most* expect a Laurent series solution (possibly non at all). When we put the formal series

$$f(z) = \sum_{n=-\infty}^{+\infty} a_n z^n = \sum_{n=0}^{+\infty} a_n z^n + \sum_{n=1}^{+\infty} a_{-n} z^{-n},$$

into the differential equation, we get

$$\begin{aligned} 0 &= z^3 f'(z) + f(z) = z^3 \sum_{n=0}^{+\infty} n a_n z^{n-1} + \sum_{n=0}^{+\infty} a_n z^n = \sum_{n=0}^{+\infty} n a_n z^{n+2} + \sum_{n=0}^{+\infty} a_n z^n \\ &= \sum_{n=0}^{+\infty} n a_n z^{n+2} + \sum_{n=2}^{+\infty} a_{n+2} z^{n+2} = \sum_{n=2}^{+\infty} \{n a_n + a_{n+2}\} z^{n+2}. \end{aligned}$$

According to the *identity theorem* this equation is satisfied, if and only if the following recursion formula holds

$$n a_n + a_{n+2} = 0, \quad n \in \mathbb{Z},$$

thus

$$(1) \quad a_{n+2} = -n a_n, \quad n \in \mathbb{Z}.$$

Equations of this type are solved by first identifying those values of  $n \in \mathbb{Z}$ , for which one of the coefficients degenerate to 0 and then split the summation domain into different parts by means of these exception values. We see that an obvious zero is  $n = 0$ , where

$$a_2 = -0 \cdot a_0 = 0.$$

This proved that  $a_2 = 0$ , while  $a_0$  can be chosen arbitrarily.

Then by induction of (1),

$$a_{2n} = 0, \quad \text{for } n \in \mathbb{N}.$$

This means that the possible Laurent series solution is now reduced to

$$(2) \quad f(z) = \sum_{n=0}^{+\infty} a_{-n} z^{-n} + \sum_{n=0}^{+\infty} a_{2n+1} z^{2n+1}.$$

Let us take a closer look on the latter series of (2),

$$\sum_{n=0}^{+\infty} a_{2n+1} z^{2n+1} = z \sum_{n=0}^{+\infty} a_{2n+1} (z^2)^n.$$

If  $z \neq 0$ , then it is convergent, if and only if

$$\sum_{n=0}^{+\infty} a_{2n+1} (z^2)^n$$

is convergent. Putting

$$b_n = a_{2n+1} \quad \text{and} \quad w = z^2,$$

we see that we shall examine the conditions of convergence of the auxiliary series

$$\sum_{n=0}^{+\infty} b_n w^n,$$

where we have by (1),

$$b_{n+1} = a_{2(n+1)+1} = a_{(2n+1)+2} = -(2n+1)a_{2n+1} = -(2n+1)b_n.$$

Please click the advert







[www.1calendar.dk](http://www.1calendar.dk)

This shows that if  $b_0 \neq 0$ , then all  $b_n \neq 0$ ,  $n \in \mathbb{N}_0$ , and we can determine the  $w$ -radius of convergence,

$$\varrho_w = \lim_{n \rightarrow +\infty} \left| \frac{b_n}{b_{n+1}} \right| = \lim_{n \rightarrow +\infty} \left| \frac{b_n}{-(2n+1)b_n} \right| = \lim_{n \rightarrow +\infty} \frac{1}{2n+1} = 0,$$

so if  $b_0 = a_1 \neq 0$ , the series is only convergent for  $w = 0$ . Therefore, we are *forced* for reasons of convergence to put

$$a_1 = 0.$$

If  $a_1 = 0$ , then it follows from (1) that  $a_3 = 0$ , and thus

$$a_{2n+1} = 0, \quad n \in \mathbb{N},$$

by induction. The series is then reduced to

$$f(z) = \sum_{n=0}^{+\infty} a_{-n} z^{-n}.$$

If we replace  $n$  by  $-n$  in (1), then

$$a_{-n+2} = n a_{-n}, \quad n \in \mathbb{Z},$$

so

$$(3) \quad a_{-n} = \frac{1}{n} a_{-n+2}, \quad n \in \mathbb{Z}.$$

If  $n = 1$ , then  $a_{-1} = a_1 = 0$ . If  $n = 3$ , then

$$a_{-3} = \frac{1}{3} a_{-1} = 0,$$

hence by induction,

$$a_{-2n+1} = 0, \quad n \in \mathbb{N}.$$

The series is now reduced to

$$f(z) = \sum_{n=0}^{+\infty} a_{-2n} z^{-2n}.$$

We now replace  $n$  by  $2n$  in (3). Then we obtain the following recursion formula for  $a_{-2n}$ :

$$(4) \quad a_{-2n} = \frac{1}{2n} a_{-2n+2} = \frac{1}{2n} a_{-2(n-1)}, \quad n \in \mathbb{N}.$$

Finally, we put  $c_n = a_{-2n}$ . Then we derive from (4) the following recursion formula,

$$c_n = \frac{1}{2n} c_{n-1}, \quad n \in \mathbb{N}.$$

This is multiplied by  $2^n n!$  in order to get

$$2^n n! c_n = 2^{n-1} (n-1)! c_{n-1}, \quad n \in \mathbb{N},$$

where we see that the right hand side is obtained from the left hand side by replacing  $n$  everywhere by  $n - 1$ . Therefore, by recursion,

$$2^n n! c_n = 2^{n-1} (n-1)! c_{n-1} = \cdots = 2^0 0! c_0 = c_0 = a_0,$$

hence

$$a_{-2n} = c_n = \frac{a_0}{2^n n!}, \quad n \in \mathbb{N}.$$

The corresponding formal Laurent series is then given by

$$f(z) = \sum_{n=0}^{+\infty} a_{-2n} z^{-2n} = a_0 \sum_{n=0}^{+\infty} \frac{1}{n!} \cdot \frac{1}{2^n} \left(\frac{1}{z^2}\right)^n = a_0 \sum_{n=0}^{+\infty} \frac{1}{n!} \left(\frac{1}{2z^2}\right)^n.$$

We should immediately *recognize* the exponential series which is convergent, if only

$$\left| \frac{1}{2z^2} \right| < +\infty, \quad \text{hence if } z \in \mathbb{C} \setminus \{0\}.$$

We have with only inspection found the domain of convergence, so the complete solution is given by

$$f(z) = a_0 \exp\left(\frac{1}{2z^2}\right), \quad \text{for } z \in \mathbb{C} \setminus \{0\}.$$

ALTERNATIVELY the differential equation *can* be solved by *inspection*. However, this solution is not obvious, so we have postponed it to this place of the example. First assume that we for some reason suspect that

$$a_n = 0 \quad \text{for } n \in \mathbb{N}.$$

The previous computations show that this is actually the case. This means that

$$f(z) = \sum_{n=0}^{+\infty} a_{-n} z^{-n} = \sum_{n=0}^{+\infty} a_{-n} w^n, \quad w = \frac{1}{z}.$$

If we put

$$g(w) = f(z) = f\left(\frac{1}{w}\right),$$

then  $g(w)$  ought to be expanded as a *Taylor series* from  $w_0 = 0$ . We shall only find a differential equation for  $g(w)$ .

Since  $w = \frac{1}{z}$  is a (one-to-one) transformation of  $\mathbb{C} \setminus \{0\}$  onto itself, it follows by implicit differentiation that

$$\begin{aligned} 0 &= z^3 f'(z) + f(z) = z^3 \frac{d}{dz} f(z) + f(z) = z^3 \frac{dw}{dz} \frac{d}{dw} g(w) + g(w) \\ &= z^3 \cdot \left(-\frac{1}{z^2}\right) g'(w) + g(w) = -z g'(w) + g(w) = -\frac{1}{w} g'(w) + g(w), \end{aligned}$$

which we write for  $w \in \mathbb{C} \setminus \{0\}$  in the following way

$$(5) \quad g'(w) - w g(w) = 0, \quad w \in \mathbb{C} \setminus \{0\}.$$

This equation is either solved by inserting a  $w$ -Taylor series

$$g(w) = \sum_{n=0}^{+\infty} b_n w^n,$$

and then apply the usual power series method, or by multiplying (5) by an integrating factor, which here can be chosen as  $\exp\left(-\frac{1}{2}w^2\right) \neq 0$ , and finally reduce.

The former standard method is left to the reader. In the latter case, however, we have the following equivalent equations,

$$\begin{aligned} 0 &= \exp\left(-\frac{1}{2}w^2\right) \frac{dg}{dw} - w \exp\left(-\frac{1}{2}w^2\right) \cdot g(w) \\ &= \exp\left(-\frac{1}{2}w^2\right) \frac{dg}{dw} + \frac{d}{dw} \left( \exp\left(-\frac{1}{2}w^2\right) \right) \cdot g(w) \\ &= \frac{d}{dw} \left\{ \exp\left(-\frac{1}{2}w^2\right) g(w) \right\}. \end{aligned}$$

An integration gives with an arbitrary constant  $c \in \mathbb{C}$ ,

$$\exp\left(-\frac{1}{2}w^2\right) g(w) = c, \quad w \in \mathbb{C} \setminus \{0\}.$$

Finally, it follows from  $g(w) = f(z)$  and  $w = \frac{1}{z}$  that

$$f(z) = g(w) = c \cdot \exp\left(\frac{1}{2}w^2\right) = c \cdot \exp\left(\frac{1}{2z^2}\right), \quad z \in \mathbb{C} \setminus \{0\}.$$

**Example 4.2** Find all Laurent series from 0, which are solutions of the differential equation

$$(z^2 - z) f'(z) = (1 - 2z) f(z),$$

and determine the domain of convergence.

**First method. Inspection.** By some rearrangements,

$$\begin{aligned} 0 &= (z^2 - z) f'(z) + (2z - 1) f(z) = (z^2 - z) f'(z) + \frac{d}{dz} (z^2 - z) \cdot f(z) \\ &= \frac{d}{dz} \left\{ (z^2 - z) f(z) \right\}. \end{aligned}$$

hence by integration,

$$(z^2 - z) f(z) = C,$$

and thus

$$f(z) = \frac{C}{z^2 - z} = \frac{C}{z(z - 1)} = -\frac{C}{z} + \frac{C}{z - 1}, \quad C \in \mathbb{C}, \quad z \neq 0, 1.$$

The Laurent series are then easily found in the two domains

$$0 < |z| < 1 \quad \text{and} \quad |z| > 1.$$

We shall find these in the **second method**, so we shall not give it here but refer to the following.

**Second method.** *Laurent series methode.* Assume that  $f(z) = \sum a_n z^n$  is a formal Laurent series solution. Then

$$f'(z) = \sum n a_n z^{n-1},$$

and hence by insertion,

$$\begin{aligned} 0 &= (z^2 - z) f'(z) - (1 - 2z) f(z) \\ &= \sum n a_n z^{n+1} - \sum n a_n z^n - \sum a_n z^n + \sum 2a_n z^{n+1} \\ &= \sum (n+2) a_n z^{n+1} - \sum (n+1) a_n z^n \\ &= \sum (n+1) a_{n-1} z^n - \sum (n+1) a_n z^n \\ &= \sum (n+1) \{a_{n-1} - a_n\} z^n. \end{aligned}$$

Then we conclude from the *identity theorem* that we get the *recursion formula*

$$(n+1) \{a_{n-1} - a_n\} = 0, \quad n \in \mathbb{Z}.$$

Please click the advert

Design your  
own future at  
MAN Diesel

[www.mandiesel.com](http://www.mandiesel.com)

MAN Diesel – Powering the World



Download free books at BookBooN.com

Here, either  $n = -1$ , i.e.

$$0 \cdot \{a_{-1} - a_1\} = 0,$$

in which case  $a_{-2}$  does not have to be equal to  $a_{-1}$ , or  $a_n = a_{n-1}$ . Therefore, we conclude that

$$a_n = a_{-2} \quad \text{for } n \leq -2,$$

and

$$a_n = a_{-1} \quad \text{for } n \geq -1.$$

The formal solution is

$$f(z) = a_{-1} \sum_{n=-1}^{+\infty} z^n + a_{-2} \sum_{n=2}^{+\infty} \frac{1}{z^n}.$$

The former series converges for  $|z| < 1$ , and the latter for  $|z| > 1$ . This means that the series is divergent for all  $z \in \mathbb{C}$ , if  $a_{-1} \cdot a_{-2} \neq 0$ .

Then put  $a_{-2} = 0$ . We get

$$f(z) = a_{-1} \sum_{n=-1}^{+\infty} z^n = \frac{a_{-1}}{z} \cdot \frac{1}{1-z}, \quad 0 < |z| < 1.$$

If  $a_{-1} = 0$ , then

$$f(z) = a_{-2} \sum_{n=2}^{+\infty} \frac{1}{z^n} = \frac{a_{-2}}{z^2} \cdot \frac{1}{1 - \frac{1}{z}} = \frac{a_{-2}}{z} \cdot \frac{1}{z-1}, \quad |z| > 1.$$

**Example 4.3** Find all Laurent series from 0, which are solution of the differential equation

$$z^3 f''(z) + (3z^2 + z) f'(z) + f(z) = 0,$$

and the domain of convergence.

Express the Laurent series by elementary functions.

**First method.** *Inspection.* It is possible in some cases to solve a differential equation by inspection.

Here we have an example of such an equation. This is, however, not always possible.

We rearrange the equation in the following way,

$$\begin{aligned} 0 &= z^3 f''(z) + (3z + z) f'(z) + f(z) = \{z^3 f''(z) + 3z^2 f'(z)\} + \{z f'(z) + f(z)\} \\ &= \frac{d}{dz} \{z^3 f'(z)\} + \frac{d}{dz} \{z f(z)\} = \frac{d}{dz} \{z^3 f'(z) + z f(z)\}. \end{aligned}$$

Therefore, if  $z \neq 0$  we get by integration, including an arbitrary constant

$$z^3 f'(z) + z f(z) = z^3 \left\{ f'(z) + \frac{1}{z^2} f(z) \right\} = a,$$

thus

$$f'(z) + \frac{1}{z^2} f(z) = \frac{a}{z^3}, \quad z \neq 0.$$

We multiply this equation by  $\exp\left(-\frac{1}{z}\right) \neq 0, z \neq 0$ , in order to get

$$\begin{aligned} \frac{a}{z^3} \exp\left(-\frac{1}{z}\right) &= \exp\left(-\frac{1}{z}\right) f'(z) + \frac{d}{dz} \left(-\frac{1}{z}\right) \exp\left(-\frac{1}{z}\right) f(z) \\ &= \exp\left(-\frac{1}{z}\right) \frac{d}{dz} f(z) + \frac{d}{dz} \exp\left(-\frac{1}{z}\right) \cdot f(z) = \frac{d}{dz} \left\{ \exp\left(-\frac{1}{z}\right) f(z) \right\}. \end{aligned}$$

On the other hand, when  $z \neq 0$  we get by the change of variable  $u = -\frac{1}{z}$  that  $\frac{du}{dz} = \frac{1}{z^2}$ , and

$$\begin{aligned} \frac{1}{z^3} \exp\left(-\frac{1}{z}\right) &= -\frac{1}{z^2} \cdot \left(-\frac{1}{z}\right) \exp\left(-\frac{1}{z}\right) = -\frac{du}{dz} \cdot u e^u = -\frac{du}{dz} \frac{d}{du} \{(u-1)e^u\} \\ &= \frac{d}{dz} \{(1-u)e^u\} = \frac{d}{dz} \left\{ \left(1 + \frac{1}{z}\right) \exp\left(-\frac{1}{z}\right) \right\}. \end{aligned}$$

Hence by insertion

$$\frac{d}{dz} \left\{ \exp\left(\frac{1}{z}\right) f(z) \right\} = \frac{d}{dz} \left\{ a \left(1 + \frac{1}{z}\right) \exp\left(-\frac{1}{z}\right) \right\},$$

and by another integration including another arbitrary constant  $b \in \mathbb{C}$ ,

$$\exp\left(-\frac{1}{z}\right) f(z) = a \left(1 + \frac{1}{z}\right) \exp\left(-\frac{1}{z}\right) + b.$$

The complete solution is

$$f(z) = a \left(1 + \frac{1}{z}\right) + b \exp\left(\frac{1}{z}\right), \quad a, b \in \mathbb{C}, \quad z \neq 0.$$

**Second method.** *Change of variable.* Since  $a_0(z) = z^3$  is only 0 for  $z = 0$ , we see that  $z = 0$  is the only singular point, so we may expect that any possible solution must have the domain of definition  $\mathbb{C} \setminus \{0\}$ . Since  $\mathbb{C} \setminus \{0\}$  is mapped into itself by the transformation  $w = \frac{1}{z}$ , an idea would be to see what this equation is mapped into by this transformation.

Let  $z \neq 0$  and  $w = \frac{1}{z}$ , and let  $g$  be given by

$$g(w) = g\left(\frac{1}{z}\right) = f(z).$$



We shall set up a differential equation for  $g(w)$ . It follows by the *chain rule* that

$$f'(z) = g' \left( \frac{1}{z} \right) \cdot \left( -\frac{1}{z^2} \right) = -w^2 g'(w),$$

and

$$f''(z) = \frac{1}{z^4} g'' \left( \frac{1}{z} \right) + \frac{2}{z^3} g' \left( \frac{1}{z} \right) = w^4 g''(w) + 2w^3 g'(w),$$

which put into the differential equation give

$$\begin{aligned} 0 &= z^3 f''(z) + (3z^2 + z) f'(z) + f(z) \\ &= \frac{1}{w^3} \{w^4 g''(w) + 2w^3 g'(w)\} + \left\{ \frac{3}{w^2} + \frac{1}{w} \right\} \cdot \{-w^2 g'(w)\} + g(w) \\ &= w g''(w) + 2 g'(w) - 3 g'(w) - w g'(w) + g(w) \\ &= \{w g''(w) - g'(w)\} - \{w g'(w) - g(w)\}. \end{aligned}$$

The latter two expressions are the numerator of the derivative of a fraction of denominator  $w$ . Thus, if the equation is divided by  $w^2 \neq 0$ , then

$$0 = \frac{w g''(w) - 1 \cdot g'(w)}{w^2} - \frac{w g'(w) - 1 \cdot g(w)}{w^2} = \frac{d}{dw} \left\{ \frac{g'(w)}{w} - \frac{g(w)}{w} \right\},$$

hence by integration,

$$\frac{g'(w) - g(w)}{w} = -a, \quad a \in \mathbb{C}.$$

We have here chosen the sign in front of the arbitrary constant  $a \in \mathbb{C}$  in order to ease some later computations.

The numerator looks like the derivative of  $e^{-w}g(w)$ , where we are only missing the factor  $e^{-w}$ . Therefore, we multiply the equation by  $w e^{-w}$  in order to get

$$\frac{d}{dw} \{e^{-w}g(w)\} = e^{-w}g'(w) - e^{-w}g(w) = -a w e^{-w} = \frac{d}{dw} \{a(w+1)e^{-w}\},$$

where the latter equality is proved by a simple test.

An integration with respect to  $w$  then gives with a new arbitrary constant  $b \in \mathbb{C}$  that

$$e^{-w}g(w) = a(w+1)e^{-w} + b,$$

so we obtain the complete solution

$$f(z) = g(w) = a(1+w) + b e^w = a \left( 1 + \frac{1}{z} \right) + b \exp \left( \frac{1}{z} \right), \quad z \neq 0.$$

**Third method.** *The standard method.* We put a formal Laurent series

$$f(z) = \sum_{n=-\infty}^{+\infty} a_n z^n = \sum a_n z^n, \quad r < |z| < R,$$

into the original differential equation. Then we have in the domain of convergence  $r < |z| < R$  (note that in particular  $z \neq 0$ ) that


$$f(z) = \sum a_n z^n, \quad f'(z) = \sum n a_n z^{n-1}, \quad f''(z) = \sum n(n-1) a_n z^{n-2},$$

hence by insertion into the equation

$$\begin{aligned} 0 &= z^3 f''(z) + (3z^2 + z) f'(z) + f(z) \\ &= z^3 \sum n(n-1) a_n z^{n-2} + 3z^2 \sum n a_n z^{n-1} + z \sum n a_n z^{n-1} + \sum a_n z^n \\ &= \sum n(n-1) a_n z^{n+1} + \sum 3n a_n z^{n+1} + \sum n a_n z^n + \sum a_n z^n \\ &= \sum \{n^2 - n + 3n\} a_n z^{n+1} + \sum (n+1) a_n z^n \\ &= \sum n(n+2) a_n z^{n+1} + \sum (n+1) a_n z^n \\ &= \sum (n-1)(n+1) a_{n-1} z^n + \sum (n+1) a_n z^n \\ &= \sum (n+1) \{(n-1) a_{n-1} + a_n\} z^n. \end{aligned}$$

Please click the advert

**Student Discounts** + **Student Events** + **Money Saving Advice** = **Happy Days!**



**wealthy**student.co.uk

This equation is fulfilled in the domain of convergence, so we obtain the following *recursion formula*

$$(6) \quad (n+1)\{(n-1)a_{n-1} + a_n\} = 0, \quad n \in \mathbb{Z},$$

where we must not cancel the common factor  $(n+1)$ .

If  $n = -1$ , then  $n+1 = 0$ , and (6) is fulfilled, no matter the choices of the values of  $a_{-1-1} = a_{-2}$  and  $a_{-1}$ . Hence we conclude that  $a_{-2}$  and  $a_{-1}$  are independent of each other, and we may for the time being consider them as being arbitrary.

When  $n \neq -1$ , formula (6) is reduced to

$$(7) \quad (n-1)a_{n-1} + a_n = 0, \quad n \in \mathbb{Z} \setminus \{-1\}.$$

When  $n = 1$ , we get  $a_1 = 0$ , hence by recursion for  $n \in \mathbb{N}$ ,

$$a_n = -(n-1)a_{n-1} = \cdots = (-1)^{n-1}(n-1)!a_1 = 0,$$

thus

$$a_n = 0 \quad \text{for } n \in \mathbb{N} \text{ positive.}$$

If  $n = 0$ , then  $-a_{-1} + a_0 = 0$ , so  $a_0 = a_{-1}$ , and

$$a_0 + \frac{a_{-1}}{z} = a_{-1} \left(1 + \frac{1}{z}\right)$$

determines one family of solutions for  $a_{-1} \in \mathbb{C}$ .

We have proved that a solution necessarily must have the form

$$f(z) = a_{-1} \left(1 + \frac{1}{z}\right) + \sum_{n=-2}^{-\infty} a_n z^n = a_{-1} \left(1 + \frac{1}{z}\right) + \sum_{n=2}^{+\infty} b_n \frac{1}{z^n}, \quad z \neq 0,$$

where we have put  $b_n = a_{-n}$ ,  $n \in \mathbb{N} \setminus \{1\}$ . We shall derive a *recursion formula* for  $b_n$ ,  $n \in \mathbb{N} \setminus \{1\}$ . If we write  $-n$  instead of  $n$  in (7), then

$$(-n-1)a_{-n-1} + a_{-n} = 0, \quad n \in \mathbb{N} \setminus \{1\},$$

which expressed by the  $b_n$  becomes

$$(n+1)b_{n+1} = b_n, \quad n \in \mathbb{N} \setminus \{1\}.$$

We multiply this equation by  $n!$  in order to get

$$(n+1)!b_{n+1} = n!b_n = \cdots = 2!b_2 = 2b_2, \quad n \in \mathbb{N} \setminus \{1\},$$

thus

$$a_{-n} = b_n = \frac{2}{n!}b_2 = \frac{2}{n!}a_{-2},$$

and we have (formally) for  $z \neq 0$ ,

$$\begin{aligned} f(z) &= a_{-1} \left(1 + \frac{1}{z}\right) + \sum_{n=2}^{+\infty} \frac{2}{n!} a_{-2} \frac{1}{z^n} = a_{-1} \left(1 + \frac{1}{z}\right) + 2a_{-2} \sum_{n=2}^{+\infty} \frac{1}{n!} \left(\frac{1}{z}\right)^n \\ &= a_{-1} \left(1 + \frac{1}{z}\right) + 2a_{-2} \sum_{n=0}^{+\infty} \frac{1}{n!} \left(\frac{1}{z}\right)^n - 2a_{-2} \left(1 + \frac{1}{z}\right) \\ &= (a_{-1} - 2a_{-2}) \left(1 + \frac{1}{z}\right) + 2a_{-2} \exp\left(\frac{1}{z}\right), \end{aligned}$$

which is true for all  $z \neq 0$ , because the exponential series

$$\sum_{n=0}^{+\infty} \frac{1}{n!} \left(\frac{1}{z}\right)^n = \exp\left(\frac{1}{z}\right)$$

is convergent for  $\left|\frac{1}{z}\right| < +\infty$ , i.e. for  $z \neq 0$ . Only the zero solution can be extended to  $\mathbb{C}$ .

**Example 4.4** Find all Laurent series from 0, which are solutions of the differential equation

$$z^3 f''(z) + z^2 f'(z) - f(z) = 0,$$

and determine the domain of convergence.

Assume that

$$f(z) = \sum a_n z^n, \quad r < |z| < R,$$

is a Laurent series solution. Then

$$f'(z) = \sum n a_n z^{n-1} \quad \text{and} \quad f''(z) = \sum n(n-1) a_n z^{n-2}$$

in the same domain. Then by insertion into the differential equation,

$$\begin{aligned} 0 &= z^3 f''(z) + z^2 f'(z) - f(z) = \sum n(n-1) a_n z^{n+1} + \sum n a_n z^{n+1} - \sum a_n z^n \\ &= \sum n^2 a_n z^{n+1} - \sum a_{n+1} z^{n+1} = \sum \{n^2 a_n - a_{n+1}\} z^{n+1}. \end{aligned}$$

From the identity theorem we get the *recursion formula*

$$(8) \quad a_{n+1} = n^2 a_n, \quad n \in \mathbb{Z}.$$

If  $n = 0$ , then  $a_1 = 0$ . We continue by recursion to get  $a_n = 0$  for all  $n \in \mathbb{N}$ , and we see that only terms of non-positive indices are important.

We put  $b_n = a_{-n}$ ,  $n \in \mathbb{N}_0$ , and write  $-n$ ,  $n \in \mathbb{N}_0$ , instead of  $n$  in (8). Then we get the *recursion formula*

$$(9) \quad n^2 b_n = (-n)^2 a_{-n} = a_{-n+1} = b_{n-1}, \quad n \in \mathbb{N}.$$

We multiply this equation by  $\{(n-1)!\}^2$  to get

$$\{n!\}^2 b_n = \{(n-1)!\}^2 b_{n-1} = \dots = \{0!\}^2 b_0 = b_0, \quad n \in \mathbb{N}_0,$$

thus

$$a_{-n} = b_n = \frac{1}{\{n!\}^2} a_0, \quad n \in \mathbb{N}_0.$$

The series is then

$$f(z) = a_0 \sum_{n=0}^{+\infty} \frac{1}{(n!)^2} \cdot \frac{1}{z^n}, \quad z \in \mathbb{C} \setminus \{0\}, \quad a_0 \in \mathbb{C},$$

where it is easy to prove that

$$\sum_{n=0}^{+\infty} \frac{1}{(n!)^2} w^n$$

has radius of convergence  $+\infty$ .

**Remark 4.2** We note that we in this case only get one Laurent series in spite of the fact that the equation is of second order.  $\diamond$

**Remark 4.3** One can prove that the series solution can be expressed by a *Bessel function*.  $\diamond$

**Example 4.5** Find all Laurent series from 0, which are solutions of the differential equation

$$z^4 f''(z) + 2z^3 f'(z) + f(z) = 0.$$

Determine the domain of convergence for each of them. Finally, express the Laurent series by elementary functions.

Assume that the solution is given on the form

$$f(z) = \sum_{n=-\infty}^{+\infty} a_n z^n = \sum a_n z^n, \quad r < |z| < R.$$

Then we have in the domain of convergence,

$$f'(z) = \sum n a_n z^{n-1}, \quad f''(z) = \sum n(n-1) a_n z^{n-2},$$

hence by insertion into the differential equation,

$$\begin{aligned} 0 &= z^4 f''(z) + 2z^3 f'(z) + f(z) = \sum n(n-1) a_n z^{n+2} + \sum 2n a_n z^{n+2} + \sum a_n z^n \\ &= \sum n(n+1) a_n z^{n+2} + \sum a_{n+2} z^{n+2} = \sum \{n(n+1) a_n + a_{n+2}\} z^{n+2}. \end{aligned}$$

We derive from this the *recursion formula*

$$(10) \quad a_{n+2} = -n(n+1)a_n, \quad n \in \mathbb{Z}.$$

If  $n = 0$ , then we see that  $a_0$  is an indeterminate and  $a_2 = 0$ . Then by recursion,

$$a_{2n} = 0 \quad \text{for all } n \in \mathbb{N}.$$

If  $n = -1$ , then  $a_{-1}$  is an indeterminate and  $a_1 = 0$ . By recursion we get

$$a_{2n+1} = 0 \quad \text{for all } n \in \mathbb{N}_0.$$

Summing up we have

$$a_n = 0 \quad \text{for all } n \in \mathbb{N}.$$

When we replace  $n$  by  $-n$ , and write  $b_n$  instead of  $a_{-n}$ , then

$$-(-n)(-n+1)a_{-n} = -n(n-1)b_n = a_{-n+2} = b_{n-2}, \quad n \in \mathbb{N} \setminus \{1\},$$

Please click the advert

## WHAT'S MISSING IN THIS EQUATION?

You could be one of our future talents

### MAERSK INTERNATIONAL TECHNOLOGY & SCIENCE PROGRAMME

Are you about to graduate as an **engineer** or **geoscientist**? Or have you already graduated?  
If so, there may be an exciting future for you with A.P. Moller - Maersk.



**MAERSK**

[www.maersk.com/mitas](http://www.maersk.com/mitas)

hence

$$(11) \quad -n(n-1)b_n = b_{n-2}, \quad n \in \mathbb{N} \setminus \{1\}.$$

Thus we get by multiplying by  $-(n-2)!$ ,

$$+n!b_n = -(n-2)!b_{n-2}, \quad n \in \mathbb{N} \setminus \{1\},$$

and then we have to split the investigation according to whether  $n$  is even or odd.

(a) If  $n = 2p$  is even, then

$$(2p)!b_{2p} = -(2p-2)!b_{2p-2} = \cdots = (-1)^p 0!b_0 = (-1)^p a_0,$$

hence

$$a_{-2n} = b_{2n} = \frac{(-1)^n}{(2n)!} a_0, \quad n \in \mathbb{N}_0.$$

(b) If  $n = 2p + 1$ ,  $p \in \mathbb{N}_0$ , is odd, then

$$(2p+1)!b_{2p+1} = -(2p-1)!b_{2p-1}b_{2p-1} = \cdots = (-1)^p \cdot 1!b_1 = (-1)^p a_{-1},$$

hence

$$a_{-2n-1} = b_{2n+1} = \frac{(-1)^n}{(2n+1)!} a_{-1}, \quad n \in \mathbb{N}_0.$$

In both cases the corresponding series are convergent for  $\left|\frac{1}{z}\right| < +\infty$ , i.e. for  $z \neq 0$ , and with exception of the zero solution (which is convergent in  $\mathbb{C}$ ) the domain of convergence is  $\mathbb{C} \setminus \{0\}$ .

Finally, we recognize the coefficients as belonging to the cosine and the sine series respectively, so

$$\begin{aligned} f(z) &= \sum_{n=0}^{+\infty} a_{-n} \cdot \frac{1}{z^n} = a_0 \sum_{n=0}^{+\infty} \frac{(-1)^n}{(2n)!} \left(\frac{1}{z}\right)^{2n} + a_{-1} \sum_{n=0}^{+\infty} \frac{(-1)^n}{(2n+1)!} \left(\frac{1}{z}\right)^{2n+1} \\ &= a_0 \cos\left(\frac{1}{z}\right) + a_{-1} \sin\left(\frac{1}{z}\right). \quad z \in \mathbb{C} \setminus \{0\}. \end{aligned}$$

**Example 4.6** Find all Laurent series from 0, which are solutions of the differential equation

$$z^4 f''(z) + 2z^3 f'(z) - f(z) = 0.$$

Determine the domain of convergence for each of these. Finally, express the Laurent series by elementary functions.

When we for  $r < |z| < R$  put

$$f(z) = \sum a_n z^n, \quad f'(z) = \sum n a_n z^{n-1}, \quad f''(z) = \sum n(n-1) a_n z^{n-2},$$

into the differential equation, then

$$\begin{aligned} 0 &= z^4 f''(z) + 2z^3 f'(z) - f(z) = \sum n(n-1)a_n z^{n+2} + \sum 2n a_n z^{n+2} - \sum a_n z^n \\ &= \sum n(n+1)a_n z^{n+2} - \sum a_{n+2} z^{n+2} = \sum \{n(n+1)a_n - a_{n+2}\} z^{n+2}. \end{aligned}$$

It follows by the identity theorem that we have the *recursion formula*

$$(12) \quad a_{n+2} = n(n+1)a_n, \quad n \in \mathbb{Z}.$$

If  $n = 0$ , then  $a_2 = 0$ , and hence by induction,

$$a_{2n} = 0 \quad \text{for } n \in \mathbb{N},$$

while  $a_0$  is an indeterminate.

If  $n = -1$ , then  $a_1 = 0$ , and hence by induction,

$$a_{2n+1} = 0 \quad \text{for } n \in \mathbb{N}_0,$$

while  $a_{-1}$  is an indeterminate.

Summing up we have

$$a_n = 0 \quad \text{for } n \in \mathbb{N}.$$

If we put  $b_n = a_{-n}$ ,  $n \in \mathbb{N}_0$  and replace  $n$  by  $-n$  in (12), then we get

$$(13) \quad b_{n-2} = a_{-n+2} = (-n)(-n+1)a_{-n} = n(n-1)b_n, \quad n \in \mathbb{N} \setminus \{1\}.$$

If we multiply (13) by  $(n-2)!$ , we get

$$n! b_n = (n-2)! b_{n-2}.$$

Here there is a leap of 2 in the indices, so we must split into the cases of even or odd indices. We find

$$(2n)! b_{2n} = (2\{n-1\})! b_{2(n-1)} = \cdots = 0! b_0 = a_0,$$

$$(2n+1)! b_{2n+1} = (2\{n-1\}+1)! b_{2(n-1)+1} = \cdots = 1! b_1 = a_{-1},$$

hence

$$a_{-2n} = b_{2n} = \frac{1}{(2n)!} a_0 \quad \text{and} \quad a_{-2n-1} = b_{2n+1} = \frac{1}{(2n+1)!} a_{-1}, \quad n \in \mathbb{N}_0.$$

Thus the formal Laurent series solution is given by

$$f(z) = a_0 \sum_{n=0}^{+\infty} \frac{1}{(2n)!} \cdot \frac{1}{z^{2n}} + a_{-1} \sum_{n=0}^{+\infty} \frac{1}{(2n+1)!} \cdot \frac{1}{z^{2n+1}} = a_0 \cosh\left(\frac{1}{z}\right) + a_{-1} \sinh\left(\frac{1}{z}\right).$$

The determination of the domain of convergence  $\mathbb{C} \setminus \{0\}$  is trivial, because we only consider known series which are convergent for  $\left|\frac{1}{z}\right| < +\infty$ .

Only the zero solution can be extended to all of  $\mathbb{C}$ .



ALTERNATIVELY, the coefficient  $a_0(z) = z^4$  leads one to the idea of transforming the differential equation into a differential equation in the new variable  $w = \frac{1}{z}$ ,  $z \neq 0$ ,  $w \neq 0$ . If we put

$$f(z) = g\left(\frac{1}{z}\right) = g(w).$$

then

$$\frac{dw}{dz} = -\frac{1}{z^2} = -w^2,$$

and

$$f'(z) = -w^2 g'(w) \quad \text{and} \quad f''(z) = w^4 g''(w) + 2w^3 g'(w).$$

Since  $zw = 1$ , it follows by insertion that

$$g''(w) - g(w) = 0,$$

the complete solution of which is

$$g(w) = c_1 e^w + c_2 e^{-w} = a_0 \cosh w + a_{-1} \sinh w.$$

Then finally.

$$f(z) = c_1 \exp\left(\frac{1}{z}\right) + c_2 \exp\left(-\frac{1}{z}\right) = a_0 \cosh\left(\frac{1}{z}\right) + a_{-1} \sinh\left(\frac{1}{z}\right), \quad z \in \mathbb{C} \setminus \{0\}.$$

**Example 4.7** Find all Laurent series from 0 which are solutions of the differential equation

$$z^4 f''(z) + 4z^3 f'(z) + (2z^2 + 1) f(z) = 0,$$

and determine the domain of convergence.

If we put the formal Laurent series

$$f(z) = \sum_{n=-\infty}^{+\infty} a_n z^n = \sum a_n z^n, \quad r < |z| < R,$$

and its formal derivatives

$$f'(z) = \sum n a_n z^{n-1} \quad \text{og} \quad f''(z) = \sum n(n-1) a_n z^{n-2},$$

into the differential equation, then

$$\begin{aligned} 0 &= z^4 f''(z) + 4z^3 f'(z) + (2z^2 + 1) f(z) \\ &= \sum n(n-1) a_n z^{n+2} + \sum 4n a_n z^{n+2} + \sum 2a_n z^{n+2} + \sum a_n z^n \\ &= \sum (n^2 + 3n + 2) a_n z^{n+2} + \sum a_n z^n \\ &= \sum (n+1)(n+2) a_n z^{n+2} + \sum a_n z^n \\ &= \sum (n-1)n a_{n-2} z^n + \sum a_n z^n \\ &= \sum \{(n-1)n a_{n-2} + a_n\} z^n. \end{aligned}$$

Then apply the *identity theorem* on this in order to get the *recursion formula*

$$(14) \quad (n-1)n a_{n-2} + a_n = 0, \quad n \in \mathbb{Z}.$$

If  $n = 0$ , then  $a_0 = 0$ , and  $a_{-2}$  is an indeterminate.

If  $n = 1$ , then  $a_1 = 0$ , and  $a_{-1}$  is an indeterminate.

It follows from  $a_0 = a_1 = 0$  and

$$a_n = -(n-1)n a_{n-2} \quad \text{for } n \geq 2,$$

by recursion that

$$a_n = 0 \quad \text{for } n \in \mathbb{N}_0.$$

Put  $b_n = a_{-n}$ . Then it follows from (14) for  $n \in \mathbb{N}$  that

$$(-n-1)(-n)a_{-n-2} + a_{-n} = n(n+1)b_{n+2} + b_n = 0, \quad \text{for } n \in \mathbb{N},$$

thus

$$(15) \quad b_{n+2} = -\frac{1}{(n+1)n} b_n, \quad n \in \mathbb{N}.$$

Please click the advert

# CHALLENGE YOURSELF

[WWW.STUDYINSWEDEN.SE](http://WWW.STUDYINSWEDEN.SE)

Today's job market values ambitious, innovative, perceptive team players. Swedish universities foster these qualities through a forward-thinking culture where you're close to the latest ideas and global trends.

**Si.**  
Swedish Institute

Whatever your career goals may be, studying in Sweden will give you valuable skills and a competitive advantage for your future. [www.studyinsweden.se](http://www.studyinsweden.se)

The leap of the indices in (15) is 2, so we must split the following into the cases of even or odd indices.

(a) If  $n = 2p$ ,  $p \in \mathbb{N}$ , is even, then it follows by  $p$  recursions that

$$b_{2p+2} = b_{2(p+1)} = -\frac{1}{(2p+1) \cdot 2p} b_{2p} = \dots = \frac{(-1)^p}{(2p+1)!} b_2.$$

(b) If  $n = 2p - 1$ ,  $p \in \mathbb{N}$ , is odd, then it follows by  $p$  recursions that

$$b_{2p+1} = -\frac{1}{2p(2p-1)} b_{2p-1} = \dots = \frac{(-1)^p}{(2p)!} b_1.$$

Hence the complete solution is

$$\begin{aligned} f(z) &= b_2 \sum_{p=0}^{+\infty} \frac{(-1)^p}{(2p+1)!} \cdot \frac{1}{z^{2p+2}} + b_1 \sum_{p=0}^{+\infty} \frac{(-1)^p}{(2p)!} \cdot \frac{1}{z^{2p+1}} \\ &= a_{-2} \cdot \frac{1}{z} \sum_{p=0}^{+\infty} \frac{(-1)^p}{(2p+1)!} \left(\frac{1}{z}\right)^{2p+1} + a_{-1} \cdot \frac{1}{z} \sum_{p=0}^{+\infty} \frac{(-1)^p}{(2p)!} \left(\frac{1}{z}\right)^{2p} \\ &= a_{-2} \cdot \frac{1}{z} \sin\left(\frac{1}{z}\right) + a_{-1} \cdot \frac{1}{z} \cos\left(\frac{1}{z}\right), \end{aligned}$$

where we recognize the trigonometric series, which are convergent for  $\left|\frac{1}{z}\right| < +\infty$ , thus the domain of convergence is  $\mathbb{C} \setminus \{0\}$ .

**Example 4.8 (a)** Find all Laurent series solutions from  $z_0 = 0$  of the differential equation

$$(16) \quad z \frac{d^2 f}{dz^2} + (z+3) \frac{df}{dz} + 2f(z) = 0, \quad z \in \mathbb{C},$$

and determine their domains of convergence.

(b) Use e.g. the exponential series to express the complete solution by means of known elementary functions.

HINT: There are some solution possibilities. In one of them one needs the simple formula

$$\frac{1}{(n+2)n!} = \frac{1}{(n+1)!} - \frac{1}{(n+2)!}.$$

(c) Explain why there exists precisely one solution  $f(z)$  of (16) fulfilling  $f(0) = 1$ , and find it.

(a) If we put the formal Laurent series

$$f(z) = \sum a_n z^n, \quad f'(z) = \sum n a_n z^{n-1}, \quad f''(z) = \sum n(n-1) a_n z^{n-2},$$

into (16), then

$$\begin{aligned}
 0 &= z \sum n(n-1)a_n z^{n-2} + z \sum n a_n z^{n-1} + \sum 3n a_n z^{n-1} + \sum 2a_n z^n \\
 &= \sum n(n-1)a_n z^{n-1} + \sum n a_n z^n + \sum 3n a_n z^{n-1} + \sum 2a_n z^n \\
 &= \sum n(n+2)a_n z^{n-1} + \sum (n+2)a_n z^n \\
 &= \sum n(n+2)a_n z^{n-1} + \sum (n+1)a_{n-1} z^{n-1} \\
 &= \sum \{n(n+2)a_n + (n+1)a_{n-1}\} z^{n-1}.
 \end{aligned}$$

Then it follows from the *identity theorem* that we get the *recursion formula*

$$(17) \quad n(n+2)a_n + (n+1)a_{n-1} = 0 \quad \text{for } n \in \mathbb{Z}.$$

The coefficients of the recursion formula have the obvious “zeros”  $n = -2, -1$  and  $0$ . These are checked separately.

- If  $n = -2$ , then

$$0 \cdot a_{-2} - a_{-3} = 0,$$

hence

$$a_{-3} = 0 \quad \text{and} \quad a_{-2} \text{ is arbitrary.}$$

- If  $n = -1$ , then

$$-a_{-1} + 0 \cdot a_{-2} = 0,$$

hence

$$a_{-1} = 0 \quad \text{and} \quad a_{-2} \text{ is arbitrary.}$$

- If  $n = 0$ , then

$$0 \cdot a_0 + a_{-1} = 0,$$

hence

$$a_{-1} = 0 \quad \text{and} \quad a_0 \text{ is arbitrary.}$$

- If  $n < -2$ , then it follows from (17) that

$$a_{n-1} = -\frac{n(n+2)}{n+1} a_n, \quad n \leq -3, \quad a_{-3} = 0,$$

and we conclude by induction,

$$a_n = 0 \quad \text{for } n \leq -3.$$

- If  $n > 0$ , then it follows from (17) that

$$n(n+2)a_n = -(n+1)a_{n-1}, \quad n \in \mathbb{N}.$$

When we multiply this formula by  $(-1)^n \cdot (n-1)! \neq 0$ , then we get the equivalent formulæ

$$(-1)^n n! (n+2)a_n = (-1)^{n-1} (n-1)! (\{n-1\} + 2)a_{n-1} = \cdots = (-1)^0 0! 2a_0 = 2a_0,$$

and we conclude that

$$a_n = \frac{2(-1)^n}{(n+2)n!} a_0 = 2(-1)^n \cdot \frac{n+1}{(n+2)!} a_0.$$

The formal Laurent series solutions are therefore given by

$$f(z) = \frac{a_{-2}}{z^2} + 2a_0 \sum_{n=0}^{+\infty} \frac{n+1}{(n+2)!} (-z)^n.$$

It follows from

$$\left| \sum_{n=0}^{+\infty} a_n z^n \right| \leq \sum_{n=0}^{+\infty} 2|a_0| \cdot \frac{|z|^n}{(n+2)n!} \leq 2|a_0| \sum_{n=0}^{+\infty} \frac{|z|^n}{n!} = 2|a_0| \exp(|z|),$$

by the *criterion of comparison* that the series is convergent for every  $z \in \mathbb{C}$ . Hence, if  $a_{-2} \neq 0$ , then the complete solution is

$$f(z) = \frac{a_{-2}}{z^2} + 2a_0 \sum_{n=0}^{+\infty} \frac{n+1}{(n+2)!} (-z)^n, \quad \text{for } z \in \mathbb{C} \setminus \{0\}.$$

This solution can only be extended to all of  $\mathbb{C}$ , if  $a_{-2} = 0$ .

- (b) If  $z \neq 0$ , then

$$\begin{aligned} \sum_{n=0}^{+\infty} \frac{n+1}{(n+2)!} (-z)^n &= \sum_{n=0}^{+\infty} \frac{n+2-1}{(n+2)!} (-z)^n = \sum_{n=0}^{+\infty} \frac{(-z)^n}{(n+1)!} - \sum_{n=0}^{+\infty} \frac{(-z)^n}{(n+2)!} \\ &= -\frac{1}{z} \sum_{n=0}^{+\infty} \frac{(-z)^{n+1}}{(n+1)!} - \frac{1}{z^2} \sum_{n=0}^{+\infty} \frac{(-z)^{n+2}}{(n+2)!} = -\frac{1}{z} \sum_{n=1}^{+\infty} \frac{1}{n!} (-z)^n - \frac{1}{z^2} \sum_{n=2}^{+\infty} \frac{(-z)^n}{n!} \\ &= -\frac{1}{z} \{e^{-z} - 1\} - \frac{1}{z^2} \{e^{-z} - 1 + z\} = -\frac{1}{z} e^{-z} + \frac{1}{z} - \frac{1}{z^2} e^{-z} + \frac{1}{z^2} - \frac{1}{z} \\ &= \frac{1}{z^2} \{1 - (1+z)e^{-z}\}. \end{aligned}$$

Hence we conclude that if  $z \neq 0$ , then the complete solution is given by

$$f(z) = \frac{a_{-2}}{z^2} + 2a_0 \cdot \frac{1 - (1+z)e^{-z}}{z^2}.$$

Since

$$\frac{1 - (1+z)e^{-z}}{z^2} = \sum_{n=0}^{+\infty} \frac{n+1}{(n+2)!} (-z)^n \quad \text{for } z \neq 0,$$

it follows by taking the limit that

$$\lim_{z \rightarrow 0} \frac{1 - (1+z)e^{-z}}{z^2} = \frac{0+1}{(0+2)!} = \frac{1}{2}.$$

(c) The solution

$$f(z) = \frac{a_{-2}}{z^2} + 2a_0 \cdot \frac{1 - (1+z)e^{-z}}{z^2}$$

is according to the above bounded for  $z \rightarrow 0$ , were the limit value exists, if and only if  $a_{-2} = 0$ . When this is the case, we have

$$\lim_{z \rightarrow 0} f(z) = 2a_0 \lim_{z \rightarrow 0} \frac{1 - (1+z)e^{-z}}{z^2} = 2 \cdot a_0 \cdot \frac{1}{2} = a_0 = 1.$$

Thus the solution is

$$f(z) = 2 \sum_{n=0}^{+\infty} \frac{n+1}{(n+2)!} (-z)^n = \begin{cases} 2 \cdot \frac{1 - (1+z)e^{-z}}{z^2} & \text{for } z \neq 0, \\ 1 & \text{for } z = 0. \end{cases}$$

**Remark 4.4** It is actually possible to solve the equation (16) directly without using Laurent series. However, the trick and the reformulations are somewhat sophisticated. We give for completeness a short review of this solution and emphasize at the same time that this is not a trivial solution.  $\diamond$

Please click the advert

The advertisement features a collage of four images. The top-left image shows a person in a white shirt working at a computer workstation with a green chair. The bottom-left image shows a man in a dark suit holding a document. The right side of the collage is dominated by two women in business attire; one is wearing a pink shirt and the other a white turtleneck, both smiling and engaged in conversation. The bottom-left image shows a modern building at night with its lights on. The entire advertisement is set against a dark blue background with a light blue wavy graphic at the bottom.

[www.job.oticon.dk](http://www.job.oticon.dk)

**oticon**  
PEOPLE FIRST

Download free books at [BookBooN.com](http://BookBooN.com)

Since  $z = 0$  is a singular point, we assume in general in the following that  $z \neq 0$ . The not so obvious idea is then to multiply the differential equation by  $z \neq 0$ . Then

$$z^2 \frac{d^2 f}{dz^2} + z^2 \frac{df}{dz} + 3z \frac{df}{dz} + 2z f(z) = 0.$$

Now,

$$z^2 \frac{d^2 f}{dz^2} + 2z \frac{df}{dz} = \frac{d}{dz} \left\{ z^2 \frac{df}{dz} \right\}$$

and analogously,

$$z^2 \frac{df}{dz} + 2z f(z) = \frac{d}{dz} \{ z^2 f(z) \}.$$

We shall therefore try to reduce the equation by applying these formulæ, where we immediately must admit that we always will get an extra term  $z \frac{df}{dz}$ , which apparently cannot be removed. When we try this program above, then

$$\begin{aligned} 0 &= z^2 \frac{d^2 f}{dz^2} + z^2 \frac{df}{dz} + 3z \frac{df}{dz} + 2z f(z) \\ &= \left\{ z^2 \frac{d^2 f}{dz^2} + 2z \frac{df}{dz} \right\} + z \frac{df}{dz} + \left\{ z^2 \frac{df}{dz} + 2z f(z) \right\} \\ &= \frac{d}{dz} \left\{ z^2 \frac{df}{dz} \right\} + z \frac{df}{dz} + \frac{d}{dz} \{ z^2 f(z) \}. \end{aligned}$$

Since

$$z^2 \frac{df}{dz} = \frac{d}{dz} \{ z^2 f(z) \} - 2z f(z),$$

it follows by insertion that

$$\begin{aligned} 0 &= \frac{d}{dz} \left( \frac{d}{dz} \{ z^2 f(z) \} - 2z f(z) \right) + z \frac{df}{dz} + \frac{d}{dz} \{ z^2 f(z) \} \\ &= \frac{d^2}{dz^2} \{ z^2 f(z) \} - 2 f(z) - 2z \frac{df}{dz} + z \frac{df}{dz} + \frac{d}{dz} \{ z^2 f(z) \} \\ &= \frac{d}{dz} \left( \frac{d}{dz} \{ z^2 f(z) \} \right) + \frac{d}{dz} \{ z^2 f(z) \} - \left\{ z \frac{df}{dz} + 2 f(z) \right\} \\ &= \frac{d}{dz} \left( \frac{d}{dz} \{ z^2 f(z) \} \right) + \frac{d}{dz} \{ z^2 f(z) \} - \frac{1}{z} \left\{ z^2 \frac{df}{dz} + 2z f(z) \right\} \\ &= \frac{d}{dz} \left( \frac{d}{dz} \{ z^2 f(z) \} \right) + \left( 1 - \frac{1}{z} \right) \frac{d}{dz} \{ z^2 f(z) \}. \end{aligned}$$

If we put

$$g(z) = \frac{d}{dz} \{ z^2 f(z) \},$$

then the equation in  $z \neq 0$  is reduced to

$$(18) \quad \frac{dg}{dz} + \left( 1 - \frac{1}{z} \right) g(z) = 0.$$

Using the usual solution of a real, linear, inhomogeneous differential equation of first order we at led to guess on the following complete solution of (18):

$$g(z) = C_1 \cdot z e^{-z}.$$

However, we cannot totally rely on the real solution formula in the complex theory, because the principal logarithm occurs latently in the computations. Hence we shall check our guess of solution. On the other hand, this is now trivial. When  $g(z)$  is given as above, then

$$g'(z) = C_1(1-z)e^{-z} = C_1 z e^{-z} \cdot \left(\frac{1}{z} - 1\right) = -\left(1 - \frac{1}{z}\right)g(z).$$

ALTERNATIVELY we divide (18) by  $z$ , and come back to (16):

$$0 = z \frac{d^2 f}{dz^2} + (z+3) \frac{df}{dz} + 2f(z) = \frac{1}{z} \frac{dg}{dz} + \frac{1}{z} g(z) - \frac{1}{z^2} g(z) = \frac{d}{dz} \left\{ \frac{1}{z} g(z) \right\} + \frac{1}{z} g(z).$$

When we multiply this equation by  $e^z \neq 0$ , then

$$0 = e^z \frac{d}{dz} \left\{ \frac{g(z)}{z} \right\} + \frac{d e^z}{dz} \cdot \left\{ \frac{g(z)}{z} \right\} = \frac{d}{dz} \left\{ \frac{e^z}{z} g(z) \right\} \quad \left( = \frac{d}{dz} \left\{ \frac{e^z}{z} \frac{d}{dz} \{z^2 f(z)\} \right\} \right),$$

hence

$$g(z) = \frac{d}{dz} \{z^2 f(z)\} = C_1 z e^{-z}.$$

When this equation is integrated, we get for  $z \neq 0$ ,

$$z^2 f(z) = -C_1 \cdot (z+1)e^{-z} + C_2,$$

and then finally.

$$f(z) = C_1 \cdot \frac{1 - (1+z)e^{-z}}{z^2} + \frac{C_2 - C_1}{z^2}.$$

A consequence of the above is that if (16) is multiplied by the integrating factor  $e^z$ , then it is possible by some manipulations to write the equation in the form

$$\frac{d}{dz} \left\{ \frac{e^z}{z} \frac{d}{dz} [z^2 f(z)] \right\} = 0, \quad z \in \mathbb{C} \setminus \{0\},$$

which immediately can be integrated. We have here made a small detour to find the more obvious integrating factor  $z \neq 0$ , by which the ideas are presented more clearly than if we immediately had multiplied by the not so obvious factor  $e^z$ .  $\diamond$



**Example 4.9** Given the differential equation

$$(19) \quad z f''(z) + 4 f'(z) + \left(z + \frac{2}{z}\right) f(z) = 0.$$

1) Assume that the Laurent series

$$f(z) = \sum_{n=-\infty}^{+\infty} a_n z^n$$

is a solution of (19). Find a recursion formula for the coefficients  $a_n$ . Then show that  $a_n = 0$  for  $n \leq -3$ .

2) Find all Laurent series solutions of (19) and their domains of convergence.

3) Express the Laurent series solutions of (19) by means of elementary functions.

**Alternative solution.** The singular point is  $z = 0$ . Let  $z \neq 0$ . When we multiply by  $z$ , it follows that the equation is equivalent to

$$\begin{aligned} 0 &= z^2 f''(z) + 4z f'(z) + z^2 f(z) + 2f(z) \\ &= \{z^2 f''(z) + 2z f'(z)\} + \{2z f'(z) + 2f(z)\} + z^2 f(z) \\ &= \frac{d}{dz} \{z^2 f'(z)\} + \frac{d}{dz} \{2z f(z)\} + z^2 f(z) \\ &= \frac{d^2}{dz^2} \{z^2 f(z)\} + z^2 f(z), \end{aligned}$$

which is a known differential equation in  $g(z) = z^2 f(z)$ . The complete solution is

$$g(z) = z^2 f(z) = c_1 \sin z + c_2 \cos z \quad \text{for } z \in \mathbb{C} \setminus \{0\}.$$

Finally,

$$f(z) = c_1 \cdot \frac{\sin z}{z^2} + c_2 \cdot \frac{\cos z}{z^2} \quad \text{for } z \in \mathbb{C} \setminus \{0\}.$$

Only the zero solution can be extended to all of  $\mathbb{C}$ .

**Standard solution.** 1) When we put a formal Laurent series into the differential equation, then

$$\begin{aligned} 0 &= \sum n(n-1)a_n z^{n-1} + \sum 4n a_n z^{n-1} + \sum a_n z^{n+1} + \sum 2a_n z^{n-1} \\ &= \sum \{n^2 - n + 4n + 2\} a_n z^{n-1} + \sum a_n z^{n+1} \\ &= \sum \{(n+1)(n+2)a_n + a_{n-2}\} z^{n-1}. \end{aligned}$$

The *identity theorem* implies the following *recursion formula*,

$$(20) \quad (n+1)(n+2)a_n + a_{n-2} = 0, \quad n \in \mathbb{Z}.$$

If  $n = -1$ , then  $a_{-3} = 0$ .

If  $n = -2$ , then  $a_{-4} = 0$ .

Then we get by induction,

$$a_n = 0 \quad \text{for } n \leq -3.$$

Finally,

$$a_{n+2} = -\frac{1}{(n+3)(n+4)} a_n \quad \text{for } n > -3.$$

2) If  $n = 2p$ ,  $p \in \mathbb{N}_0$ , is even, then it follows from (20) that

$$(2p+2)(2p+1)a_{2p} = -a_{2(p-1)}.$$

When we multiply this equation by  $(2p)!(-1)^p \neq 0$ , it follows by a trivial recursion that

$$(2p+2)!(-1)^p a_{2p} = (2p)!(-1)^{p-1} a_{2(p-1)} = \dots = 0!(-1)a_{-2},$$

hence

$$a_{2p} = \frac{(-1)^{p+1}}{(2p+2)!} a_{-2}, \quad p \in \mathbb{N}_0.$$

Please click the advert

**CHALLENGE  
YOURSELF**

**WWW.STUDYINSWEDEN.SE**

**Si.**  
Swedish Institute

Today's job market values ambitious, innovative, perceptive team players. Swedish universities foster these qualities through a forward-thinking culture where you're close to the latest ideas and global trends.

Whatever your career goals may be, studying in Sweden will give you valuable skills and a competitive advantage for your future. [www.studyinsweden.se](http://www.studyinsweden.se)

Analogously, if  $n = 2p + 1$ ,  $p \in \mathbb{N}_0$ , is odd, then

$$(2p + 3)(2p + 2)a_{2p+1} = -a_{2p-1} = -a_{2(p-1)+1},$$

hence by a multiplication by  $(-1)^p \cdot (2p + 1)! \neq 0$ , followed by a simple recursion,

$$(-1)^p (2p + 3)! a_{2p+1} = (-1)^{p-1} (2\{p-1\} + 2)! a_{2(p-1)+1} = \cdots = (-1) \cdot 1! a_{-1},$$

thus

$$a_{2p+1} = \frac{(-1)^{p+1}}{(2p + 3)!} a_{-1}.$$

3) The formal Laurent series solution is for  $z \neq 0$  given by

$$\begin{aligned} f(z) &= a_{-1} \sum_{p=1}^{+\infty} \frac{(-1)^{p+1}}{(2p + 3)!} z^{2p+1} + a_{-2} \sum_{p=-1}^{+\infty} \frac{(-1)^{p+1}}{(2p + 2)!} z^{2p} \\ &= a_{-1} \sum_{p=0}^{+\infty} \frac{(-1)^p}{(2p + 1)!} z^{2p-1} + a_{-2} \sum_{p=0}^{+\infty} \frac{(-1)^p}{(2p)!} z^{2p-2} \\ &= a_{-1} \cdot \frac{1}{z^2} \sum_{p=0}^{+\infty} \frac{(-1)^p}{(2p + 1)!} z^{2p+1} + a_{-2} \cdot \frac{1}{z^2} \sum_{p=0}^{+\infty} \frac{(-1)^p}{(2p)!} z^{2p} \\ &= a_{-1} \cdot \frac{\sin z}{z^2} + a_{-2} \cdot \frac{\cos z}{z^2}, \end{aligned}$$

where we have recognized the sum functions of the series. Clearly, the domain of convergence is  $\mathbb{C} \setminus \{0\}$ , and only the zero solution can be extended to all of  $\mathbb{C}$ .

**Example 4.10** Given the differential equation

$$(21) \quad (z^2 - z) f''(z) + (4z - 2) f'(z) + 2 f(z) = 0.$$

- 1) We assume that (21) has a Laurent series solution  $f(z) = \sum_{n=-\infty}^{+\infty} a_n z^n$ . Derive the recursion formula for the coefficients  $a_n$ .
- 2) Find all Laurent series solutions of (21) and their domains of convergence.
- 3) Then express each of the Laurent series solutions of (21) by elementary functions.
- 4) Explain why the solutions of (21) all can be extended to  $\mathbb{C}$  with the exception of at most two points. Find the type of singularity of each of these points.

**First method.** *Inspection.* The most important task is of course to find all solutions of (21). We shall here do it by inspection without applying any of the auxiliary questions in the formulation.

The coefficient  $z^2 - z = z(z - 1)$  of the term of highest order of differentiation  $f''(z)$  is zero at the singular points 0 and 1. Then we reformulate (21) in the following way:

$$\begin{aligned} 0 &= (z^2 - z) f''(z) + (2z - 1) f'(z) + (2z - 1) f'(z) + 2 f(z) \\ &= \frac{d}{dz} \{ (z^2 - z) f'(z) + (2z - 1) f(z) \} = \frac{d^2}{dz^2} \{ (z^2 - z) f(z) \}, \end{aligned}$$

hence by two integrations.

$$(z^2 - z) f(z) = bz - a.$$

If  $z \in \mathbb{C} \setminus \{0, 1\}$ , we get by a decomposition,

$$f(z) = \frac{bz - a}{z^2 - z} = \frac{bz - a}{z(z - 1)} = \frac{a}{z} + \frac{b - a}{z - 1},$$

where we have trivial analytic extensions if either  $a = 0$  or  $b = a$ .

If  $a \neq 0$ , then  $z = 0$  is a simple pole, and if  $b \neq a$ , then  $z = 1$  is a simple pole.

**Second method.** *The standard method.*

1) When we by the formal Laurent series into (21), we get

$$\begin{aligned} 0 &= \sum n(n-1)a_n z^n - \sum n(n-1)a_n z^{n-1} \\ &\quad + \sum 4n a_n z^n - \sum 2n a_n z^{n-1} \\ &\quad + \sum 2a_n z^n \\ &= \sum \{n^2 - n + 4n + 2\} a_n z^n - \sum \{n^2 - n + 2n\} a_n z^{n-1} \\ &= \sum (n+1)(n+2)a_n z^n - \sum n(n+1)a_n z^{n-1} \\ &= \sum (n+1)(n+2)a_n z^n - \sum (n+1)(n+2)a_{n+1} z^n \\ &= \sum (n+1)(n+2) \{a_n - a_{n+1}\} z^n. \end{aligned}$$

It follows from the *identity theorem* that we have the *recursion formula*

$$(n+1)(n+2) \{a_n - a_{n+1}\} = 0, \quad n \in \mathbb{Z}.$$

Note in particular that

$$(22) \quad a_n = a_{n+1} \quad \text{for } n \in \mathbb{Z} \setminus \{-1, -2\},$$

while we have no condition for  $n = -1$  or  $n = -2$  whatsoever.

2) Then solve the recursion formula

$$(n+1)(n+2) \{a_n - a_{n+1}\} = 0. \quad n \in \mathbb{Z}.$$

If  $n = -1$ , there is no relationship between  $a_{-1}$  and  $a_0$ .

If  $n = -2$ , there is no relationship between  $a_{-2}$  and  $a_{-1}$ .

If  $n > -1$ , then we get by recursion of (22) that  $a_n = a_0$ .

If  $n < -2$ , then we get by recursion of (22) that  $a_n = a_{-2}$ .

Hence, all *formal* Laurent series solutions of (21) are given by

$$f(z) = \sum_{n=-\infty}^{+\infty} a_n z^n = a_{-2} \sum_{n=2}^{+\infty} \frac{1}{z^n} + a_{-1} \cdot \frac{1}{z} + a_0 \sum_{n=0}^{+\infty} z^n,$$

and we seemingly have three arbitrary constants of the solution of a linear differential equation of only second order! However, there is nothing wrong here, which follows when we investigate the domains of convergence of each series:

- The series  $\sum_{n=2}^{+\infty} \frac{1}{z^n}$  is convergent for  $\left| \frac{1}{z} \right| < 1$ , i.e. in the open complementary set of the unit disc  $|z| > 1$ .
- The degenerated Laurent series  $\frac{1}{z}$  is convergent for  $z \in \mathbb{C} \setminus \{0\}$ .
- The series  $\sum_{n=0}^{+\infty} z^n$  is convergent in the open unit disc  $|z| < 1$ .

When we compare these results it follows that  $a_0$  and  $a_{-2}$  cannot both be different from zero, so if we want *convergent* series solutions, then we must have  $a_0 \cdot a_{-2} = 0$ .

We have the following possibilities:

- (a)  $f(z) = 0, \quad z \in \mathbb{C},$
- (b)  $f(z) = a_{-1} \cdot \frac{1}{z}, \quad z \in \mathbb{C} \setminus \{0\},$
- (c)  $f(z) = a_0 \sum_{n=0}^{+\infty} z^n, \quad |z| < 1,$
- (d)  $f(z) = a_{-1} \cdot \frac{1}{z} + a_0 \sum_{n=0}^{+\infty} z^n, \quad 0 < |z| < 1,$
- (e)  $f(z) = a_{-1} \cdot \frac{1}{z} + a_{-2} \sum_{n=2}^{+\infty} \frac{1}{z^n}, \quad |z| > 1.$

Please click the advert

## Turning a challenge into a learning curve. Just another day at the office for a high performer.

### Accenture Boot Camp – your toughest test yet

Choose Accenture for a career where the variety of opportunities and challenges allows you to make a difference every day. A place where you can develop your potential and grow professionally, working alongside talented colleagues. The only place where you can learn from our unrivalled experience, while helping our global clients achieve high performance. If this is your idea of a typical working day, then Accenture is the place to be.

It all starts at Boot Camp. It's 48 hours that will stimulate your mind and enhance your career prospects. You'll spend time with other students, top Accenture Consultants and special guests. An inspirational two days

packed with intellectual challenges and activities designed to let you discover what it really means to be a high performer in business. We can't tell you everything about Boot Camp, but expect a fast-paced, exhilarating

and intense learning experience. It could be your toughest test yet, which is exactly what will make it your biggest opportunity.

Find out more and apply online.

**Visit [accenture.com/bootcamp](https://www.accenture.com/bootcamp)**

• Consulting • Technology • Outsourcing



3) When  $|z| < 1$ , then of course

$$a_0 \sum_{n=0}^{+\infty} z^n = a_0 \cdot \frac{1}{1-z}, \quad |z| < 1.$$

Analogously when  $|z| > 1$ ,

$$a_{-2} \sum_{n=2}^{+\infty} \frac{1}{z^n} = a_{-2} \cdot \frac{1}{z^2} \cdot \frac{1}{1 - \frac{1}{z}} = a_{-2} \cdot \frac{1}{z(z-1)} = -\frac{a_{-2}}{z} + \frac{a_{-2}}{z-1}.$$

Then these expressions can be put into (c)-(e).

4) We get by insertion into (d),

$$f(z) = a_{-1} \cdot \frac{1}{z} + a_0 \cdot \frac{1}{1-z}, \quad 0 < |z| < 1.$$

Insertion into (e) gives

$$\begin{aligned} f(z) &= a_{-1} \cdot \frac{1}{z} - \frac{a_{-2}}{z} - \frac{a_{-2}}{1-z} \\ &= (a_{-1} - a_{-2}) \cdot \frac{1}{z} + (-a_{-2}) \cdot \frac{1}{1-z}, \quad |z| > 1. \end{aligned}$$

It follows that the general solution has the form by elementary functions,

$$f(z) = A \cdot \frac{1}{z} + B \cdot \frac{1}{1-z},$$

where  $f(z)$  *at most* has the simple poles at  $z = 0$  and  $z = 1$ . By either an analytic extension of  $f(z)$ , or just by checking the differential equation it follows that this function  $f(z)$  is a solution of (21) everywhere in its domain.

**Example 4.11** Find all Laurent series

$$f(z) = \frac{a_{-1}}{z} + \sum_{n=0}^{+\infty} a_n z^n = \sum_{n=-1}^{+\infty} a_n z^n$$

(expansion from  $z_0 = 0$ ), which are solutions of the differential equation

$$(23) \quad (z^3 - z) f''(z) + (4z^2 - 2) f'(z) + 2z f(z) = 0.$$

Determine the domain of convergence for each of these solutions.

Put  $g(z) = z \cdot f(z)$  and express  $g'(z)$  explicitly by elementary functions.

Then express all the Laurent series solutions of (23) by means of elementary functions.

**First method.** INSPECTION. We get by some small manipulations,

$$\begin{aligned} 0 &= (z^3 - z) f''(z) + (4z^2 - 2) f'(z) + 2z f(z) \\ &= (z^3 - z) \frac{d}{dz} f'(z) + (3z^2 - 1) \cdot f'(z) + (z^2 - 1) \frac{d}{dz} f(z) + 2z \cdot f(z) \\ &= \frac{d}{dz} \{ (z^3 - z) f'(z) + (z^2 - 1) f(z) \} = \frac{d}{dz} \{ (z^2 - 1) \cdot \{ z f'(z) + 1 \cdot f(z) \} \} \\ &= \frac{d}{dz} \left\{ (z^2 - 1) \frac{d}{dz} (z f(z)) \right\}. \end{aligned}$$

Then by an integration,

$$(z^2 - 1) \frac{d}{dz} (z f(z)) = C_1, \quad \text{dvs.} \quad \frac{d}{dz} (z f(z)) = \frac{C_1}{z^2 - 1}.$$

If  $|z| < 1$ , then

$$\frac{d}{dz} \text{Log} \left( \frac{1-z}{1+z} \right) = \frac{1}{\frac{1-z}{1+z}} \cdot \frac{-(1+z) - (1-z)}{(1+z)^2} = \frac{-2}{1-z^2} = \frac{2}{z^2-1},$$

so we conclude that

$$z f(z) = \frac{C_1}{2} \text{Log} \left( \frac{1-z}{1+z} \right) + C_2,$$

and finally,

$$f(z) = \frac{C_1}{2} \cdot \frac{1}{z} \text{Log} \left( \frac{1-z}{1+z} \right) + \frac{C_2}{z}.$$

In general we conclude for the corresponding Laurent series, the derivation of which is postponed to the next variant, that since the singularities are 0 and  $-1$  and  $1$ , their domain of convergence is  $0 < |z| < 1$ . For some values of  $C_1$  and  $C_2$  the domain of convergence may be larger. (Again the investigation is postponed to the next variant).

**Second method.** THE STANDARD METHOD. Assume that  $f(z) = \sum_{n=-1}^{+\infty} a_n z^n$  is a Laurent series solution in a domain defined by  $0 < |z| < R$ . We get by termwise differentiation in this domain

$$f'(z) = \sum_{n=-1}^{+\infty} n a_n z^{n-1} \quad \text{and} \quad f''(z) = \sum_{n=-1}^{+\infty} n(n-1) a_n z^{n-2},$$

hence by insertion into the differential equation,

$$\begin{aligned} 0 &= (z^3 - z) f''(z) + (4z^2 - 2) f'(z) + 2z f(z) \\ &= \sum_{n=-1}^{+\infty} n(n-1) a_n z^{n+1} - \sum_{n=-1}^{+\infty} n(n-1) a_n z^{n-1} + \sum_{n=-1}^{+\infty} 4n a_n z^{n+1} - \sum_{n=-1}^{+\infty} 2n a_n z^{n-1} + \sum_{n=-1}^{+\infty} 2a_n z^{n+1} \\ &= \sum_{n=-1}^{+\infty} \{n^2 + 3n + 2\} a_n z^{n+1} - \sum_{n=-1}^{+\infty} n(n+1) a_n z^{n-1} \\ &= \sum_{n=-1}^{+\infty} (n+1)(n+2) a_n z^{n+1} - \sum_{n=-1}^{+\infty} n(n+1) a_n z^{n-1} \\ &= \sum_{n=-1}^{+\infty} (n+1)(n+2) a_n z^{n+1} - \sum_{n=-1}^{+\infty} (n+2)(n+3) a_{n+2} z^{n+1} \\ &= \sum_{n=-1}^{+\infty} (n+2) \{(n+1) a_n - (n+3) a_{n+2}\} z^{n+1}. \end{aligned}$$

Since  $n+2 \neq 0$  for  $n \geq -1$ , the recursion formula is reduced to

$$(24) \quad (n+3) a_{n+2} = (n+1) a_n, \quad n \geq -1,$$

and we see that there is a leap of 2 in the indices.

If  $n = 2p - 1$ ,  $p \in \mathbb{N}_0$ , then it follows from (24) that

$$(2p+2) a_{2p+1} = 2p \cdot a_{2p-1} = \cdots = 2 \cdot 0 \cdot a_{-1} = 0,$$

hence  $a_{-1}$  is an *indeterminate*, and  $a_{2p+1} = 0$  for  $p \in \mathbb{N}_0$ .

If  $n = 2p - 2$ ,  $p \in \mathbb{N}$ , then it follows from (24) that

$$(2p+1) a_{2p} = (2p-1) a_{2p-2} = \cdots = 1 \cdot a_0,$$

hence

$$a_{2n} = \frac{a_0}{2n+1} \quad \text{for } n \in \mathbb{N}_0,$$

and  $a_0$  is also *arbitrary*. Therefore, all possible Laurent series solutions are given by

$$(25) \quad f(z) = \frac{a_{-1}}{z} + a_0 \sum_{n=0}^{+\infty} \frac{z^{2n}}{2n+1}, \quad a_{-1}, a_0 \in \mathbb{C}.$$



If  $a_{-1} = 0$  and  $a_0 = 0$ , then  $f(z) \equiv 0$ , the domain of which is all of  $\mathbb{C}$ .

If  $a_{-1} \neq 0$  and  $a_0 = 0$ , then  $f(z) = \frac{a_{-1}}{z}$ , the domain of which is  $\mathbb{C} \setminus \{0\}$ .

If  $a_{-1} = 0$  and  $a_0 \neq 0$ , then

$$f(z) = a_0 \sum_{n=0}^{+\infty} \frac{z^{2n}}{2n+1},$$

the domain of which is  $\{z \in \mathbb{C} \mid |z| < 1\}$ .

If both  $a_{-1} \neq 0$  and  $a_0 \neq 0$ , then the Laurent series is convergent in the open unit disc  $\{z \in \mathbb{C} \mid 0 < |z| < 1\}$  with the centrum removed, which we expected, because the differential equation has the singular points  $-1, 0$  and  $1$ . (These are the zeros of the coefficient  $z^3 - z$  of  $f''(z)$ ).

If we exclude all the exception cases, it follows in general from (25) that

$$g(z) = z \cdot f(z) = a_1 - +a_0 \sum_{n=0}^{+\infty} \frac{z^{2n+1}}{2n+1}, \quad 0 \leq |z| < 1,$$

hence

$$g'(z) = a_0 \sum_{n=0}^{+\infty} z^{2n} = \frac{a_0}{1-z^2} = -\frac{a_0}{2} \left\{ \frac{1}{z-1} - \frac{1}{z+1} \right\}, \quad |z| < 1.$$

Please click the advert





it's an **interesting** world

## Get under the skin of it.

**Graduate opportunities**  
**Cheltenham | £24,945 + benefits**

One of the UK's intelligence services, GCHQ's role is two-fold: to gather and analyse intelligence which helps shape Britain's response to global events, and, to provide technical advice for the protection of Government communication and information systems. In doing so, our specialists – in IT, internet, engineering, languages, information assurance, mathematics and intelligence – get well beneath the surface of global affairs. If you thought the world was an interesting place, you really ought to explore our world of work.

[www.careersinbritishintelligence.co.uk](http://www.careersinbritishintelligence.co.uk)

Applicants must be British citizens. GCHQ values diversity and welcomes applicants from all sections of the community. We want our workforce to reflect the diversity of our work.











When  $|z| < 1$ , then both  $1 - z$  and  $1 + z$  lie in the domain of the principal logarithm, and we have

$$\operatorname{Arg}(1 - z), \operatorname{Arg}(1 + z) \in \left] -\frac{\pi}{2}, \frac{\pi}{2} \right[.$$

Hence

$$g(z) = a_{-1} - \frac{a_0}{2} \operatorname{Log}(1 - z) + \frac{a_0}{2} \operatorname{Log}(1 + z) = a_{-1} + \frac{a_0}{2} \operatorname{Log} \left( \frac{1 + z}{1 - z} \right),$$

and thus

$$\begin{aligned} f(z) &= \frac{a_{-1}}{z} + \frac{a_0}{2z} \operatorname{Log} \left( \frac{1 + z}{1 - z} \right) = \frac{a_{-1}}{z} - \frac{a_0}{2z} \operatorname{Log} \left( \frac{1 - z}{1 + z} \right) \\ &= \frac{a_{-1}}{z} + \frac{a_0}{2z} \operatorname{Log}(1 + z) - \frac{a_0}{2z} \operatorname{Log}(1 - z), \end{aligned}$$

for  $0 < |z| < 1$ .

**Third method.** INTUITION. By reading the text of the example we see that  $g(z) = z f(z)$  occurs somewhere as an auxiliary function. This is a latent hint of reformulating the differential equation as an equation in  $g(z)$  instead. We get

$$g(z) = z f(z), \quad g'(z) = z f'(z) + f(z), \quad g''(z) = z f''(z) + 2 f'(z),$$

hence

$$\begin{aligned} 0 &= (z^2 - 1) z f''(z) + (4z^2 - 2) f'(z) + 2z f(z) \\ &= (z^2 - 1) \{z f''(z) + 2 f'(z)\} + \{4z^2 - 2 - 2z^2 + 2\} f'(z) + 2z f(z) \\ &= (z^2 - 1) g''(z) + 2z \{z f'(z) + f(z)\} = (z^2 - 1) g''(z) + 2z g'(z) \\ &= \frac{d}{dz} \{(z^2 - 1) g'(z)\}. \end{aligned}$$

It follows immediately that

$$(z^2 - 1) g'(z) = C_1.$$

Then we may proceed as in the FIRST METHOD. However, to demonstrate another VARIANT, we expand  $-\frac{C_1}{1 - z^2}$  as a series in the open unit disc  $|z| < 1$  followed by an integration. Then for  $|z| < 1$ ,

$$g'(z) = -\frac{C_1}{1 - z^2} = -C_1 \sum_{n=0}^{+\infty} z^{2n},$$

hence

$$g(z) = z \cdot f(z) = C_2 - C_1 \sum_{n=0}^{+\infty} \frac{1}{2n + 1} z^{2n+1}, \quad |z| < 1,$$

and thus

$$f(z) = \frac{C_2}{z} - C_1 \sum_{n=0}^{+\infty} \frac{1}{2n + 1} z^{2n}, \quad 0 < |z| < 1.$$

We must of course integrate  $\frac{1}{1 - z^2}$  directly (cf. the two previous methods).

## 5 Isolated boundary points

**Example 5.1** Describe the type of singularity at  $z_0 = 0$  of the function  $f(z) = \frac{\sin z}{z}$ ,  $z \in \mathbb{C} \setminus \{0\}$ .

The function  $f(z)$  has a *removable singularity* at  $z_0 = 0$ . In fact, we get by a series expansion that

$$f(z) = \frac{\sin z}{z} = \frac{1}{z} \sum_{n=0}^{+\infty} \frac{(-1)^n}{(2n+1)!} z^{2n+1} = 1 - \frac{z^2}{3!} + \frac{z^4}{5!} - \dots \quad \text{for } z \neq 0.$$

Clearly, the function can be extended analytically to  $z = 0$  by  $f(0) = 1$ , so

$$f^*(z) = \begin{cases} \frac{\sin z}{z}, & \text{for } z \in \mathbb{C} \setminus \{0\}, \\ 1, & \text{for } z = 0, \end{cases}$$

is analytic.

**Example 5.2** Describe the type of singularity at  $z_0 = 0$  of the function  $f(z) = \exp(1/z^2)$ ,  $z \in \mathbb{C} \setminus \{0\}$ .

It follows by a Laurent series expansion from  $z_0 = 0$  that

$$f(z) = \exp\left(\frac{1}{z^2}\right) = \sum_{n=0}^{+\infty} \frac{1}{n!} \{1/z^2\}^n = \sum_{n=0}^{+\infty} \frac{1}{n!} \frac{1}{z^{2n}}, \quad z \in \mathbb{C} \setminus \{0\}.$$

Since  $a_{-2n} = \frac{1}{n!} \neq 0$  for all  $n \in \mathbb{N}_0$ , i.e. for infinitely many negative indices, the singularity is an *essential singularity*.

ALTERNATIVELY we choose the two sequences

$$z'_n = \frac{1}{n} \rightarrow 0 \quad \text{for } n \rightarrow +\infty, \quad \text{and} \quad z''_n = \frac{i}{n} \rightarrow 0 \quad \text{for } n \rightarrow +\infty.$$

When we take the limit  $n \rightarrow +\infty$  we get respectively,

$$f(z'_n) = \exp(n^2) \rightarrow \infty \quad \text{and} \quad f(z''_n) = \exp(-n^2) \rightarrow 0.$$

Thus we have two different limit values for two different sequences, both converging towards the singularity, and we conclude that we have an *essential singularity*.

**Example 5.3** Describe the singularities of the function

$$f(z) = \frac{1}{\sin z}, \quad \text{for } z \in \mathbb{C} \setminus \{p\pi \mid p \in \mathbb{Z}\}.$$

It follows from

$$\lim_{z \rightarrow p\pi} \frac{d}{dz} \sin z = \lim_{z \rightarrow p\pi} \cos z = (-1)^p \neq 0 \quad \text{for every } p \in \mathbb{Z},$$

that the denominator  $\sin z$  has *simple zeros* for  $z = p\pi$ ,  $p \in \mathbb{Z}$ , i.e.  $f(z) = \frac{1}{\sin z}$  has *simple poles* at the same points. Notice that since  $p\pi \rightarrow \infty$  for  $p \rightarrow +\infty$ , we do *not* have  $\infty$  as an isolated singularity of  $f(z)$ .

**Example 5.4** *Indicate the order of the pole at  $z = 0$  of*

$$(\sin z + \sinh z - 2z)^{-2}.$$

Determining the order of the pole at  $z = 0$  of

$$(\sin z + \sinh z - 2z)^{-2},$$

is the same as determining the order of the zero at  $z = 0$  of

$$(\sin z + \sinh z - 2z)^2.$$

It follows by a series expansion that

$$\begin{aligned} \sin z + \sinh z - 2z &= \left\{ z - \frac{z^3}{3!} + \frac{z^5}{5!} + \cdots \right\} + \left\{ z + \frac{z^3}{3!} + \frac{z^5}{5!} + \cdots \right\} - 2z \\ &= \frac{2z^5}{5!} + \cdots = \frac{1}{60} z^5 \{1 + \cdots\}, \end{aligned}$$

so  $f(z) = \sin z + \sinh z - 2z$  has a zero of order five at  $z = 0$ . Hence we conclude that

$$(\sin z + \sinh z - 2z)^{-2},$$

has a pole of order  $2 \cdot 5 = 10$  at  $z = 0$ .

**Example 5.5** *Find the type of the singular points in  $\mathbb{C}$  of*

$$(a) f(z) = \frac{1}{e^z - 1}, \quad (b) \frac{z(z - \pi)^2}{\sin^2 z}.$$

(a) The denominator is  $\varphi(z) = e^z - 1 = 0$  for  $z = 2ip\pi$ ,  $p \in \mathbb{Z}$ , and

$$\varphi'(z) = e^z = 1 \quad \text{for } z = 2ip\pi, \quad p \in \mathbb{Z}.$$

Hence we conclude that  $\varphi(z)$  has simple zeros for  $z = 2ip\pi$ ,  $p \in \mathbb{Z}$ , i.e.

$$f(z) = \frac{1}{\varphi(z)} = \frac{1}{e^z - 1}$$

has simple poles for  $z = 2ip\pi$ ,  $p \in \mathbb{Z}$ .

(b) Since  $\sin z = 0$  for  $z = p\pi$ ,  $p \in \mathbb{Z}$ , where all these are simple zeros, we conclude that

1.  $z = 0$  is a simple pole of  $\frac{z(z - \pi)^2}{\sin^2 z}$ ;
2.  $z = \pi$  is a removable singularity of  $\frac{z(z - \pi)^2}{\sin^2 z}$ ;
3.  $z = p\pi$ ,  $p \in \mathbb{Z} \setminus \{0, 1\}$ , are double poles of  $\frac{z(z - \pi)^2}{\sin^2 z}$ .

**Example 5.6** Indicate the type of the singular points in  $\mathbb{C}$  of

$$(a) \frac{z^2 - 1}{z^2 + 1}, \quad (b) \frac{1}{z - z^3}, \quad (c) \frac{z^4}{1 + z^4}.$$

(a) The function

$$\frac{z^2 - 1}{z^2 + 1} = 1 - \frac{2}{z^2 + 1}$$

has simple poles for  $z = \pm i$ .

(b) The denominator has the simple zeros  $z = -1, 0, 1$ , so  $z = -1, 0, 1$ , are simple poles of

$$f(z) = \frac{1}{z - z^3}.$$

(c) It follows from

$$f(z) = z^4 \frac{1}{1 + z^4} = 1 - \frac{1}{1 + z^4},$$

that  $f(z)$  has the simple poles

$$\frac{1}{\sqrt{2}} + \frac{i}{\sqrt{2}}, \quad \frac{1}{\sqrt{2}} - \frac{i}{\sqrt{2}}, \quad -\frac{1}{\sqrt{2}} + \frac{i}{\sqrt{2}}, \quad -\frac{1}{\sqrt{2}} - \frac{i}{\sqrt{2}}.$$

Please click the advert

**Brain power**

By 2020, wind could provide one-tenth of our planet's electricity needs. Already today, SKF's innovative know-how is crucial to running a large proportion of the world's wind turbines.

Up to 25 % of the generating costs relate to maintenance. These can be reduced dramatically thanks to our systems for on-line condition monitoring and automatic lubrication. We help make it more economical to create cleaner, cheaper energy out of thin air.

By sharing our experience, expertise, and creativity, industries can boost performance beyond expectations. Therefore we need the best employees who can meet this challenge!

**The Power of Knowledge Engineering**

Plug into The Power of Knowledge Engineering.  
Visit us at [www.skf.com/knowledge](http://www.skf.com/knowledge)

**SKF**

**Example 5.7** Indicate the type of the singular points in  $\mathbb{C}$  of

$$(a) \frac{1}{z(z^2 + 4)^2}, \quad (b) \frac{z^3 + 5}{(z^4 - 1)(z + 1)}.$$

(a) Clearly,  $z = 0$  is a simple pole, and  $z = \pm 2i$  are double poles.

(b) The function

$$f(z) = \frac{z^3 + 5}{(z^4 - 1)(z + 1)}$$

has the three simple poles  $1$ ,  $i$  and  $-i$ , and the double pole  $-1$ .

**Example 5.8** Given

$$F(z) = \exp\left(\frac{1}{z-1}\right) \quad \text{for } z \in \mathbb{C} \setminus \{1\}.$$

Indicate the type of the singularity at  $z_0 = 1$ , and find  $\text{res}(F(z); 1)$ .

Describe for every constant  $\alpha > 0$  the set of points  $z \in \mathbb{C} \setminus \{1\}$ , for which  $|F(z)| = \alpha$ . Show in particular on a figure the set

$$\{z \in \mathbb{C} \setminus \{1\} \mid |F(z)| = \alpha\}$$

for representative values of  $\alpha > 0$ .

Prove by choosing  $\alpha > 0$  conveniently that  $F(z)$  is bounded for  $|z| < 1$ , and indicate the smallest constant  $C > 0$ , for which

$$|F(z)| \leq C \quad \text{for } |z| < 1.$$

It follows by a series expansion from  $z_0 = 1$  that

$$(26) \quad F(z) = \exp\left(\frac{1}{z-1}\right) = \sum_{n=0}^{+\infty} \frac{1}{n!} \left(\frac{1}{z-1}\right)^n = \sum_{n=0}^{+\infty} \frac{1}{n!} \cdot \frac{1}{(z-1)^n}, \quad z \in \mathbb{C} \setminus \{1\}.$$

Then by the classification of the isolated singularities,

$$a_{-n} = \frac{1}{n!} \neq 0 \quad \text{for all } n \in \mathbb{N}_0,$$

and we are in case III, i.e.  $z_0 = 1$  is an *essential singularity*.

It follows from the series expansion (26) that

$$\text{res}(F(z); 1) = a_{-1} = \frac{1}{1!} = 1.$$

If  $z = x + iy \neq 1$ , then

$$\frac{1}{z-1} = \frac{1}{x-1+iy} = \frac{x-1}{(x-1)^2 + y^2} - i \cdot \frac{y}{(x-1)^2 + y^2},$$

hence

$$|F(z)| = \exp\left(\operatorname{Re}\left\{\frac{1}{z-1}\right\}\right) = \exp\left(\frac{x-1}{(x-1)^2+y^2}\right), \quad z \neq 1.$$

Thus the equation  $|F(z)| = \alpha$  for  $\alpha > 0$  and  $z \neq 1$  can be written

$$\exp\left(\frac{x-1}{(x-1)^2+y^2}\right) = \alpha, \quad (x, y) \neq (1, 0),$$

which is equivalent to

$$(27) \quad \frac{x-1}{(x-1)^2+y^2} = \ln \alpha, \quad \ln \alpha \in \mathbb{R}, \quad (x, y) \neq (1, 0).$$

If  $\alpha = 1$ , then  $\ln \alpha = 0$ , hence  $x = 1$ . We have furthermore required that  $(x, y) \neq (1, 0)$ , so  $y \neq 0$ , and we end up with two half lines.

If  $\alpha \in \mathbb{R}_+ \setminus \{1\}$ , then  $\ln \alpha \neq 0$ . We get by a rearrangement of (27) that

$$(x-1)^2 + y^2 = \frac{1}{\ln \alpha} \cdot (x-1), \quad (x, y) \neq (1, 0),$$

hence

$$(x-1)^2 - 2 \cdot \frac{1}{2 \ln \alpha} (x-1) + \left(\frac{1}{2 \ln \alpha}\right)^2 + y^2 = \left(\frac{1}{2 \ln \alpha}\right)^2$$

for  $(x, y) \neq (1, 0)$ , which we also write as

$$\left(x-1 - \frac{1}{\ln(\alpha^2)}\right)^2 + y^2 = \left\{\frac{1}{\ln(\alpha^2)}\right\}^2, \quad \alpha \neq 1, \quad (x, y) \neq (1, 0).$$

This is a circle where the point  $(1, 0)$  has been removed with centrum and radius respectively,

$$\left(1 + \frac{1}{\ln(\alpha^2)}, 0\right) \quad \text{and} \quad \frac{1}{|\ln(\alpha^2)|},$$

where one must not forget the numerical sign of the radius  $> 0$ .

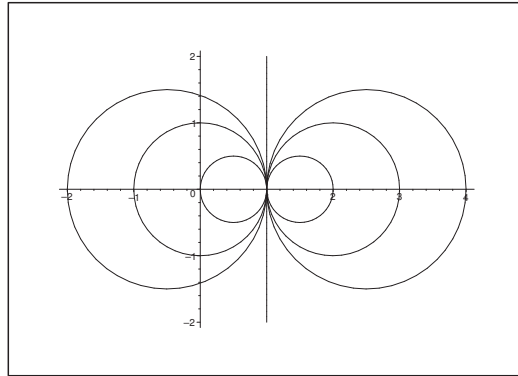
The natural extensions of all these circles are all passing through the singular point  $(1, 0)$ . Hence, the family of curves can also be described as all circles in the plane through the point  $(1, 0)$  and of centrum on the  $x$ -axis, supplied with the vertical line  $x = 1$ , where we remove the common point  $(1, 0)$  from all curves.

If

$$1 + \frac{1}{\ln(\alpha^2)} = 0,$$

i.e.  $\ln(\alpha^2) = -1$ , or in other words,

$$\alpha = \frac{1}{\sqrt{e}},$$

Figure 7: Some of the level curves  $|F(z)| = \alpha$ .

we precisely obtain the unit circle (with the exception of the singular point  $(1, 0)$ ).

If  $\alpha < \frac{1}{\sqrt{e}}$ , then

$$\ln(\alpha^2) < \ln \frac{1}{e} = -1,$$

hence  $|\ln(\alpha^2)| > 1$ , and the radius is

$$r = \frac{1}{|\ln(\alpha^2)|} < 1,$$

and the  $x$ -coordinate of the centrum is

$$1 + \frac{1}{\ln(\alpha^2)} \in ]0, 1[.$$

When  $\alpha$  runs through the interval

$$0 < \alpha < \frac{1}{\sqrt{e}},$$

this corresponds to that we run through all circles of the considered type (with the exception of the point  $(1, 0)$ ) contained in the unit disc.

It follows that every  $z$ ,  $|z| < 1$  in the open unit disc lies on precisely one of the curves

$$|F(z)| = \alpha,$$

corresponding to a uniquely determined

$$\alpha \in \left] 0, \frac{1}{\sqrt{e}} \right[.$$

We conclude that  $C = \frac{1}{\sqrt{e}}$  is the smallest constant, for which

$$|F(z)| = \left| \exp\left(\frac{1}{z-1}\right) \right| \leq C \quad \text{for } |z| < 1,$$



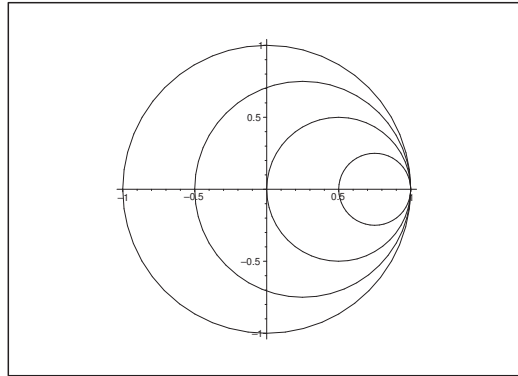


Figure 8: The curves  $|F(\alpha)| = \alpha$  for  $0 < \alpha < \frac{1}{\sqrt{e}}$  fill in all of the open unit disc.

hence

$$|F(z)| = \left| \exp\left(\frac{1}{z-1}\right) \right| < \frac{1}{\sqrt{e}} \quad \text{for } |z| < 1.$$

## Trust and responsibility

NNE and Pharmaplan have joined forces to create NNE Pharmaplan, the world's leading engineering and consultancy company focused entirely on the pharma and biotech industries.

Inés Aréizaga Esteva (Spain), 25 years old  
Education: Chemical Engineer

– You have to be proactive and open-minded as a newcomer and make it clear to your colleagues what you are able to cope. The pharmaceutical field is new to me. But busy as they are, most of my colleagues find the time to teach me, and they also trust me. Even though it was a bit hard at first, I can feel over time that I am beginning to be taken seriously and that my contribution is appreciated.

Please click the advert



NNE Pharmaplan is the world's leading engineering and consultancy company focused entirely on the pharma and biotech industries. We employ more than 1500 people worldwide and offer global reach and local knowledge along with our all-encompassing list of services.  
[nnepharmaplan.com](http://nnepharmaplan.com)

nne pharmaplan®

**Remark 5.1** We should of course compare this result with *Picard's theorem* which says that the function  $\exp\left(\frac{1}{z-1}\right)$  takes on any value of  $\mathbb{C} \setminus \{0\}$  in any neighbourhood of  $z_0 = 1$ . Nevertheless, it is seen that the function is limited at any point in a neighbourhood of  $z_0 = 1$ , which also lies in the open unit disc.  $\diamond$

**Example 5.9** Given the Laurent series

$$\sum_{n=-\infty}^{+\infty} \frac{z^n}{2^{|n|}}.$$

Find the domain of convergence  $\Omega$  and the sum function  $f$  of this series. Then find the value of the complex line integral

$$\oint_{|z|=1} f(z) dz.$$

We start by writing the Laurent series as a sum of two geometric series:

$$\sum_{n=-\infty}^{+\infty} \frac{z^n}{2^{|n|}} = \sum_{n=0}^{+\infty} \left(\frac{z}{2}\right)^n + \sum_{n=-\infty}^{-1} (2z)^n = \sum_{n=0}^{+\infty} \left(\frac{z}{2}\right)^n + \sum_{m=1}^{+\infty} \left(\frac{1}{2z}\right)^m = \sum_{n=0}^{+\infty} \left(\frac{z}{2}\right)^n + \frac{1}{2z} \sum_{n=0}^{+\infty} \left(\frac{1}{2z}\right)^n.$$

The conditions of convergence are  $\left|\frac{z}{2}\right| < 1$  and  $\left|\frac{1}{2z}\right| < 1$ , so we conclude that the domain of convergence is

$$\Omega = \left\{ z \in \mathbb{C} \mid \frac{1}{2} < |z| < 2 \right\}.$$

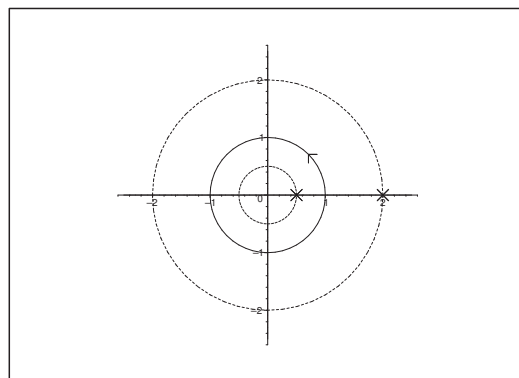


Figure 9: The domain  $\Omega$  lies between the two circles, where the singularities  $\frac{1}{2}$  and  $2$  have been marked and with the path of integration  $|z| = 1$  indicated.

The sum function is in  $\Omega$  given by expansions of the geometric series given by

$$f(z) = \frac{1}{1 - \frac{z}{2}} + \frac{1}{2z} \frac{1}{1 - \frac{1}{2z}} = \frac{2}{2-z} + \frac{1}{2z-1} = \frac{3z}{(2-z)(2z-1)}.$$

The value of the line integral is obtained by Laurent's theorem, because the coefficient of  $z^{-1}$  is  $\frac{1}{2}$ , and because we integrate along a closed simple curve in  $\Omega$ , which separates the two boundary circles,

$$\oint_{|z|=1} f(z) dz = 2\pi i \cdot a_{-1} = \pi i.$$

ALTERNATIVELY we may apply Cauchy's integral theorem and integral formula:

$$\oint_{|z|=1} f(z) dz = \oint_{|z|=1} \frac{2}{2-z} dz + \oint_{|z|=1} \frac{\frac{1}{2}}{z-\frac{1}{2}} dz = 0 + 2\pi i \cdot \frac{1}{2} = \pi i.$$

**Example 5.10** Given

$$f(z) = \frac{z^4 \exp(1/z)}{z^2 + 1}.$$

Find the singularities of  $f(z)$  and indicate their type.  
Then compute the line integral

$$\oint_C f(z) dz,$$

where  $C$  is the circle  $|z - 2i| = \sqrt{2}$  of positive direction.

It follows from

$$f(z) = \frac{z^4 \exp(1/z)}{z+i)(z-i)} = z^2 \frac{\exp \frac{1}{z}}{1 + \left(\frac{1}{z}\right)^2}$$

that the singularities are

$z = i,$	pole of first order,
$z = -i,$	pole of first order,
$z = \infty,$	pole of second order,
$z = 0,$	essential singularity.

The given circle surrounds precisely one of the singularities. We compute the integral by the residue theorem. The pole at  $z = i$  is simple, so

$$\operatorname{res}(f(z); i) = \left[ \frac{z^4 \exp \frac{1}{z}}{2z} \right]_{z=i} = \frac{1}{2i} e^{-i},$$

and hence

$$\oint_C f(z) dz = 2\pi i \cdot \frac{1}{2i} e^{-i} = \pi e^{-i} = \pi(\cos 1 - i \sin 1).$$

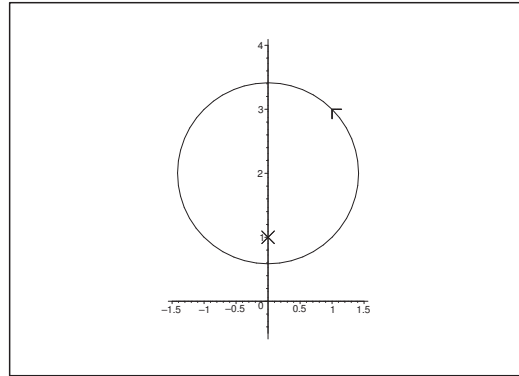


Figure 10: The curve  $C$  with its direction and with the singularity  $z = i$  inside.

**Example 5.11** Given the functions

$$f(z) = \frac{1}{z^2(2-z)} \quad \text{and} \quad g(z) = \frac{\sin(\pi z)}{z^2(2-z)}.$$

- 1) Indicate the isolated singularities and their types of  $f$  and  $g$  in  $\mathbb{C}$ .
- 2) Find the Laurent series of  $f$  in the annulus  $0 < |z| < 2$  and in the set  $2 < |z|$ .
- 3) Find the terms  $\frac{b_1}{z} + a_0 + a_1z$  of the Laurent series of  $g$  in the annulus  $0 < |z| < 2$ .
- 4) Explain why the function  $h(z) = z g(z)$  can be represented by a power series of radius of convergence  $R = +\infty$ . (One shall not find the general term of the power series).

- 1) The function

$$f(z) = \frac{1}{z^2(2-z)}$$

is a rational function with a double pole at  $z = 0$  and a simple pole at  $z = 2$  (and also a zero of order 3 at  $\infty$ ).

The function

$$g(z) = \frac{\sin(\pi z)}{z^2(2-z)} = \sin(\pi z) \cdot f(z)$$

has the same (finite) singularities as  $f(z)$ . However, their types are different, because  $z = 0$  and  $z = 2$  are both simple zeros of the numerator. This implies that  $z = 0$  is a simple pole of  $g(z)$ , and that  $z = 2$  is a removable singularity of  $g(z)$ .

2) In the annulus  $0 < |z| < 2$ , we get the Laurent series expansion

$$\begin{aligned} f(z) &= \frac{1}{z^2(2-z)} = \frac{1}{2z^2} \cdot \frac{1}{1-\frac{z}{2}} = \frac{1}{2z^2} \sum_{n=0}^{+\infty} \frac{1}{2^n} z^n \\ &= \sum_{n=0}^{+\infty} \frac{1}{2^{n+1}} z^{n-2} = \sum_{n=-2}^{+\infty} \frac{1}{2^{n+3}} z^n, \quad \text{for } 0 < |z| < 2, \end{aligned}$$

where we have used that  $\left|\frac{z}{2}\right| < 1$ . It follows that

$$a_n = \frac{1}{2^{n+3}} \quad \text{for } n \geq -2, \quad \text{and } 0 \text{ otherwise.}$$

Please click the advert

**THE MILKWAY**  
LAUNCHING GRADUATE CAREERS

**MILKROUND SYSTEM**  
Become a business star with internships, placements, graduate jobs & schemes from leading companies.  
[www.milkround.com](http://www.milkround.com)

**PLANET CAREER ADVICE**  
Inhabited by insights into business careers and orbited by application advice.

**FIRST CONTACT**  
Get matched to top business employers via intelligent emails landing in your inbox.

**Milkround.com: rated the #1 graduate recruitment website in the UK Graduate Careers Survey 2009 of 16,000 university finalists.**

**Milkround.com**

If instead  $|z| > 2$ , then

$$\begin{aligned} f(z) &= \frac{1}{z^2(2-z)} = -\frac{1}{z^3} \cdot \frac{1}{1-\frac{2}{z}} = -\frac{1}{z^3} \sum_{n=0}^{+\infty} 2^n \cdot \frac{1}{z^n} = -\sum_{n=0}^{+\infty} 2^n \cdot \frac{1}{z^{n+3}} \\ &= -\sum_{n=3}^{+\infty} 2^{n-3} \cdot \frac{1}{z^n}, \quad \text{for } |z| > 2, \end{aligned}$$

because  $\left|\frac{2}{z}\right| < 1$ . Hence,

$$a_{-n} = b_n = -2^{n-3} \quad \text{for } n \geq 3, \quad \text{and } 0 \text{ otherwise.}$$

3) Since  $g(z)$  has a simple pole at  $z = 0$ , the Laurent series of  $g(z)$  is in the domain  $0 < |z| < 2$  given by

$$\begin{aligned} g(z) &= \frac{b_1}{z} + a_0 + a_1z + \dots = \left\{ \frac{1}{2} \frac{1}{z^2} + \frac{1}{4} \frac{1}{z} + \frac{1}{8} + \dots \right\} \left\{ \pi z - \frac{1}{6} \pi^3 z^3 + \dots \right\} \\ &= \frac{\pi}{2} \cdot \frac{1}{z} + \frac{\pi}{4} + \left\{ \frac{\pi}{8} - \frac{\pi^3}{12} \right\} z + \dots, \end{aligned}$$

hence

$$\frac{b_1}{z} + a_0 + a_1z = \frac{\pi}{2} \cdot \frac{1}{z} + \frac{\pi}{4} + \left\{ \frac{\pi}{8} - \frac{\pi^3}{12} \right\} z.$$

4) The function

$$h(z) = z g(z) = \frac{\sin(\pi z)}{z(z-2)}$$

has the singularities at  $z = 0$  and  $z = 2$ , and they can both be removed. Hence we can extend  $h(z)$  analytically to all of  $\mathbb{C}$ , so the Taylor series is convergent in all of  $\mathbb{C}$ . Note that the sum function of the Taylor series is rather complicated. so that is why it is not requested here. The extension to all of  $\mathbb{C}$  is

$$H(z) = \begin{cases} \frac{\sin(\pi z)}{z(2-z)} & \text{for } z \in \mathbb{C} \setminus \{0, 2\}, \\ \frac{\pi}{2} & \text{for } z = 0, \\ -\frac{\pi}{2} & \text{for } z = -2. \end{cases}$$

**Example 5.12** Given the function

$$f(z) = \frac{z^2 - 1}{\cos(\pi z) + 1}.$$

- 1) Find all the isolated singularities of  $f$  in  $\mathbb{C}$ , and indicate their type.
- 2) Find the radius of convergence of the Maclaurin series of  $f$  without determining the coefficients. Find the coefficients  $a_0, a_1, a_2$  and the Maclaurin series of  $f$ .

- 1) The isolated singularities are given by the equation

$$\cos(\pi z) + 1 = 0, \quad \text{i.e. } \pi z = \pi + 2p\pi, \quad p \in \mathbb{Z},$$

thus

$$z_p = 2p + 1, \quad p \in \mathbb{Z}.$$

These are all at most poles of second order.

If  $p = 0$ , then  $z_0 = 1$  is also a zero of the numerator.

If  $p = -1$ , then  $z_{-1} = -1$  is also a zero of the numerator.

We conclude that  $z_0 = 1$  and  $z_{-1} = -1$  are simple poles.

Since

$$\frac{d^2}{dz^2} \{\cos(\pi z) + 1\}|_{z=z_p} \neq 0,$$

any other singularity must be a pole of second order.

- 2) The closest singularities of 0, are  $z_0 = 1$  and  $z_{-1} = -1$ . They both have the distance 1 to 0, so the radius of convergence is  $R = 1$ .

If  $|z| < 1$ , then

$$f(z) = \frac{z^2 - 1}{\cos(\pi z) + 1} = a_0 + a_1 z + a_2 z^2 + \dots,$$

and we conclude immediately that  $a_1 = 0$ , because  $f(z)$  is an *even* function. If one does not see this, we may still perform the following calculation, where we multiply by the denominator,

$$z^2 - 1 = \{a_0 + a_1 z + a_2 z^2 + \dots\} \left\{2 - \frac{\pi^2}{2} z^2 + \dots\right\} = 2a_0 + 2a_1 z + \left(2a_2 - \frac{\pi^2}{2} a_0\right) z^2 + \dots.$$

Then by identification of the coefficients,

$$a_0 = -\frac{1}{2}, \quad a_1 = 0, \quad a_2 = \frac{\pi^2}{4} a_0 = -\frac{\pi^2}{8}.$$

## 6 The conditions around the point at $\infty$

**Example 6.1** Indicate the type of the singular points in  $\mathbb{C} \cup \{\infty\}$  of

$$(a) \frac{2}{(z-3)^2} + \frac{1}{z-3} + e^z, \quad (b) \frac{\cos z}{z - \frac{\pi}{2}}.$$

(a) The function

$$f(z) = \frac{2}{(z-3)^2} + \frac{1}{z-3} + e^z$$

has a double pole at  $z = 3$  and an essential singularity at  $\infty$ .

(b) The function

$$f(z) = \frac{\cos z}{z - \frac{\pi}{2}}$$

has a removable singularity at  $z = \frac{\pi}{2}$ , where

$$f\left(\frac{\pi}{2}\right) = \lim_{z \rightarrow \frac{\pi}{2}} \frac{\cos z}{z - \frac{\pi}{2}} = \lim_{z \rightarrow \frac{\pi}{2}} \frac{-\sin z}{1} = -1,$$

and an essential singularity at  $\infty$ .

**Example 6.2** Indicate the type of the singular points in  $\mathbb{C} \cup \{\infty\}$  of

$$(a) \sin z + \sin \frac{1}{z}, \quad (b) \frac{\sin z}{z^3}.$$

(a) The function

$$f(z) = \sin z + \sin \frac{1}{z}$$

has only essential singularities at 0 and at  $\infty$ .

(b) The function

$$f(z) = \frac{\sin z}{z^3}$$

has a double pole (notice, not a triple pole) at  $z=0$ , and an essential singularity at  $\infty$ . In fact,  $\sin z$  has a simple zero at  $z = 0$ , which will lower the order of the pole by 1.



**Example 6.3** Indicate the type of the singular points in  $\mathbb{C} \cup \{\infty\}$  of

$$(a) \frac{1}{\cos \frac{1}{z}}, \quad (b) \frac{1 - \cos z}{z^6}.$$

(a) The function

$$f(z) = \frac{1}{\cos \frac{1}{z}}$$

has simple poles for

$$\frac{1}{z} = \frac{\pi}{2} + p\pi = \frac{\pi}{2}(2p+1),$$

i.e. for

$$z_p = \frac{2}{\pi(2p+1)}, \quad p \in \mathbb{Z}.$$

Please click the advert



**CHALLENGE YOURSELF**

**WWW.STUDYINSWEDEN.SE**

Today's job market values ambitious, innovative, perceptive team players. Swedish universities foster these qualities through a forward-thinking culture where you're close to the latest ideas and global trends.

Whatever your career goals may be, studying in Sweden will give you valuable skills and a competitive advantage for your future. [www.studyinsweden.se](http://www.studyinsweden.se)

**Si.**  
Swedish Institute

Download free books at BookBooN.com

We note that 0 is not an isolated singularity, because  $z_p \rightarrow 0$  for  $p \rightarrow +\infty$ , and for  $p \rightarrow -\infty$ , i.e. 0 is an essential (non-isolated) singularity.

It follows from

$$\lim_{z \rightarrow \infty} \frac{1}{\cos \frac{1}{z}} = \frac{1}{\cos 0} = 1,$$

that  $\infty$  is a removable singularity.

(b) Here  $1 - \cos z$  has a zero of second order at  $z = 0$ , so the function

$$f(z) = \frac{1 - \cos z}{z^6}$$

has a fourfold pole at  $z = 0$ .

Finally,  $\infty$  is an essential singularity.

**Example 6.4** Indicate the type of the singular points in  $\mathbb{C} \cup \{\infty\}$  of

$$(a) \frac{\cos z}{z}, \quad (b) \frac{e^z - 1}{z(z-1)}.$$

(a) We see that  $z = 0$  is a simple pole of

$$\frac{\cos z}{z},$$

and furthermore that  $\infty$  is an essential singularity.

(b) The function

$$\frac{e^z - 1}{z(z-1)}$$

has a removable singularity at  $z = 0$ , a simple pole at  $z = 1$ , and an essential singularity at  $z = \infty$ .

**Example 6.5** Indicate the type of the singular points in  $\mathbb{C} \cup \{\infty\}$  of

$$(a) \frac{z^5}{z^3 + z}, \quad (b) e^{\cosh z}.$$

(a) It is immediately seen that

$$\frac{z^5}{z^3 + z} = \frac{z^5}{z(z^2 + 1)} = \frac{z^5}{z(z-i)(z+i)} = \frac{z^2}{1 + \frac{1}{z^2}}$$

has a removable singularity at  $z = 0$ , simple poles at  $z = \pm i$ , and a double pole at  $\infty$ .

(b) The function  $e^{\cosh z}$  has only an essential singularity at  $\infty$ .

**Example 6.6** Indicate the type of the singular points in  $\mathbb{C} \cup \{\infty\}$  of

$$(a) \frac{e^z}{1+z^2}, \quad (b) \frac{z^2+1}{e^z}.$$

(a) It follows immediately that  $z = \pm i$  are simple poles and that  $z = \infty$  is an essential singularity.

(b) The function

$$(z^2+1)e^{-z} = (1+z^2) \sum_{n=0}^{+\infty} \frac{(-1)^n}{n!} z^n = 1 - z + \sum_{n=2}^{+\infty} (-1)^n \left\{ \frac{1}{n!} + \frac{1}{(n-2)!} \right\} z^n$$

has an essential singularity at  $\infty$ . It does not have any other singularity.

**Example 6.7** Indicate the type of the singular points in  $\mathbb{C} \cup \{\infty\}$  of

$$(a) z e^{-z}, \quad (b) \frac{z^5}{(1-z)^2}, \quad (c) \cos z - \frac{1}{z}.$$

(a) The only singularity of the function  $z e^{-z}$  is the essential singularity at  $\infty$ .

(b) The function

$$\frac{z^5}{(1-z)^2} = \frac{z^3}{\left(1 - \frac{1}{z}\right)^2}$$

has a double pole at  $z = 1$  and a triple pole at  $\infty$ .

(c) The function

$$\cot z - \frac{1}{z}$$

has simple poles at  $z = p\pi$ ,  $p \in \mathbb{Z} \setminus \{0\}$ . Since  $p\pi \rightarrow \infty$  for  $p \rightarrow \pm\infty$ , we see that  $\infty$  is an essential (non-isolated) singularity.

The singularity at  $z = 0$  requires a closer investigation:

$$\begin{aligned} \cot z - \frac{1}{z} &= \frac{\cos z}{\sin z} - \frac{1}{z} = \frac{z \cdot \cos z - \sin z}{z \cdot \sin z} = \frac{z \left\{ 1 - \frac{1}{2} z^2 + o(z^2) \right\} - \left\{ z - \frac{1}{6} z^3 + o(z^3) \right\}}{z^2 (1 + o(z))} \\ &= \frac{-\frac{z^3}{6} + o(z^3)}{z^2 (1 + o(z))} = -\frac{z}{6} + o(z), \end{aligned}$$

and we conclude that the singularity at  $z = 0$  is removable.

**Example 6.8** Indicate the type of the singular points in  $\mathbb{C} \cup \{\infty\}$  of

$$(a) \frac{1}{e^z - 1} - \frac{1}{z}, \quad (b) \frac{e^z}{z(1 - e^{-z})}.$$

(a) The function

$$\frac{1}{e^z - 1} - \frac{1}{z}$$

has the simple poles for  $z = 2p\pi i$ ,  $p \in \mathbb{Z} \setminus \{0\}$ . We see that  $\infty$  is a (non-isolated) essential singularity.

The singularity at  $z = 0$  requires a closer investigation. It follows by a series expansion that

$$\begin{aligned} \frac{1}{e^z - 1} - \frac{1}{z} &= \frac{z - e^z + 1}{z(e^z - 1)} = \frac{1 + z - \{1 + z + \frac{1}{2}z^2 + o(z^2)\}}{z\{1 + z + o(z) - 1\}} = \frac{-\frac{1}{2}z^2 + o(z^2)}{z^2 + o(z^2)} \\ &= -\frac{1}{2} \cdot \frac{1 + o(1)}{1 + o(1)}, \end{aligned}$$

and we conclude that the singularity at  $z = 0$  is removable.

Please click the advert



## DIVERSE - INNOVATIVE - INTERNATIONAL

**Are you considering a European business degree?**

Copenhagen Business School is one of the largest business schools in Northern Europe with more than 15,000 students from Europe, North America, Australia and Asia.

Are you curious to know how a modern European business school competes with a diverse, innovative and international study environment?

Please visit Copenhagen Business School at [www.cbs.dk](http://www.cbs.dk)



**Copenhagen Business School**  
HANDELSHØJSKOLEN

Diversity creating knowledge



(b) We have a double pole at  $z = 0$ , which e.g. can be seen by a Taylor expansion of the denominator.

We have simple poles for  $z = 2p\pi i$ ,  $p \in \mathbb{Z} \setminus \{0\}$ .

The singularity at  $\infty$  is not isolated, though the limit of a sequence of poles, hence  $\infty$  is an essential (non-isolated) singularity.

**Example 6.9** Indicate the type of the singular points in  $\mathbb{C} \cup \{\infty\}$  of

$$(a) \frac{1 - e^z}{1 + e^z}, \quad (b) z \exp \frac{1}{z}.$$

(a) The function

$$\frac{1 - e^z}{1 + e^z} = \frac{2}{1 + e^z} - 1$$

has simple poles at  $z = i(2p + 1)\pi$ ,  $p \in \mathbb{Z}$ , and a non-isolated essential singularity at  $\infty$ .

(b) It follows from

$$z \exp \frac{1}{z} = \sum_{n=0}^{+\infty} \frac{1}{n!} \frac{1}{z^{n-1}},$$

that the singularity at  $z = 0$  is essential.

It follows from

$$\exp \frac{1}{z} \rightarrow 1 \quad \text{for } z \rightarrow \infty,$$

that  $\infty$  is a simple pole of  $z \cdot \exp \frac{1}{z}$ .

**Example 6.10** Find all zeros and poles in  $\mathbb{C} \cup \{\infty\}$  for

$$(a) \frac{z^2 - 1}{z^1}, \quad (b) \frac{z - 1}{z^3 + 1}.$$

(a) The simple zeros are 1 and  $-1$ , and the simple poles are  $i$  and  $-i$ .

(b) The zeros are 1 (simple) and  $\infty$  (double), and the three simple poles are

$$-1, \quad \frac{1}{2} + i \frac{\sqrt{3}}{2}, \quad \frac{1}{2} - i \frac{\sqrt{3}}{2}.$$

**Example 6.11** Find all zeros and poles in  $\mathbb{C} \cup \{\infty\}$  of

$$(a) \frac{(z-1)^2(z+2)^3}{z}, \quad (b) \frac{1}{(z-1)^3}.$$

(a) The zeros are

$$1, \quad 1, \quad -2, \quad -2, \quad -2,$$

and the poles are

$$0, \quad \infty, \quad \infty, \quad \infty, \quad \infty.$$

Here, 1 is a double zero, and  $-2$  is a triple zero. Furthermore, 0 is a simple pole, and  $\infty$  is a fourfold pole.

(b) It follows by inspection that  $\infty$  is a triple zero, and that 1 is a triple pole.

**Example 6.12** Given the function

$$f(z) = z^3 \cos\left(\frac{1}{z}\right).$$

1) Find in the domain  $|z| > 0$  the Laurent series

$$\sum_{n=1}^{+\infty} \frac{b_n}{z^n} + \sum_{n=0}^{+\infty} a_n z^n$$

of the function  $f$ .

Indicate the coefficients  $a_n$  and  $b_n$ .

2) Indicate the isolated singularities of  $f$  in  $\bar{\mathbb{C}} = \mathbb{C} \cup \{\infty\}$  and their type.

3) Find the value of the integral

$$\oint_{|z|=1} f(z) dz,$$

and the residuum of  $f$  at  $\infty$ .

1) We get by insertion into the series of  $\cos w$ ,

$$f(z) = z^3 \cos\left(\frac{1}{z}\right) = z^3 \sum_{n=0}^{+\infty} \frac{(-1)^n}{(2n)!} \left(\frac{1}{z}\right)^{2n} = z^3 - \frac{1}{2} z + \sum_{n=0}^{+\infty} \frac{(-1)^n}{(2n+4)!} \frac{1}{z^{2n+1}} \quad \text{for } |z| > 0.$$

It follows that

$$a_1 = -\frac{1}{2}, \quad a_3 = 1, \quad a_n = 0 \text{ for } n \in \mathbb{N}_0 \setminus \{1, 3\},$$

and

$$b_{2n} = 0 \text{ for } n \in \mathbb{N}_0, \quad b_{2n+1} = \frac{(-1)^n}{(2n+4)!} \text{ for } n \in \mathbb{N}_0.$$

2) The isolated singularities in  $\overline{\mathbb{C}} = \mathbb{C} \cup \{\infty\}$  are an essential singularity at 0, and because  $\cos\left(\frac{1}{z}\right) = \cos 0 = 1$  for  $z \rightarrow \infty$ , a pole of order 3 at  $\infty$ .

3) Then by Cauchy's residue theorem,

$$\oint_{|z|=1} f(z) dz = 2\pi i \operatorname{res}(f; 0) = 2\pi i \cdot a_{-1} = \frac{2\pi i}{4!} = \frac{\pi i}{12} = -2\pi i \operatorname{res}(f; \infty),$$

so

$$\operatorname{res}(f; \infty) = -\operatorname{res}(f; 0) = -\frac{1}{4!} = -\frac{1}{24}.$$

Please click the advert



# FOSS

## Sharp Minds - Bright Ideas!

Employees at FOSS Analytical A/S are living proof of the company value - First - using new inventions to make dedicated solutions for our customers. With sharp minds and cross functional teamwork, we constantly strive to develop new unique products - Would you like to join our team?

FOSS works diligently with innovation and development as basis for its growth. It is reflected in the fact that more than 200 of the 1200 employees in FOSS work with Research & Development in Scandinavia and USA. Engineers at FOSS work in production, development and marketing, within a wide range of different fields, i.e. Chemistry, Electronics, Mechanics, Software, Optics, Microbiology, Chemometrics.

**We offer**  
*A challenging job in an international and innovative company that is leading in its field. You will get the opportunity to work with the most advanced technology together with highly skilled colleagues.*

*Read more about FOSS at [www.foss.dk](http://www.foss.dk) - or go directly to our student site [www.foss.dk/sharpminds](http://www.foss.dk/sharpminds) where you can learn more about your possibilities of working together with us on projects, your thesis etc.*

The Family owned FOSS group is the world leader as supplier of dedicated, high-tech analytical solutions which measure and control the quality and production of agricultural, food, pharmaceutical and chemical products. Main activities are initiated from Denmark, Sweden and USA with headquarters domiciled in Hillerød, DK. The products are marketed globally by 23 sales companies and an extensive net of distributors. In line with the corevalue to be 'First', the company intends to expand its market position.





Dedicated Analytical Solutions

FOSS  
 Slangerupgade 69  
 3400 Hillerød  
 Tel. +45 70103370  
[www.foss.dk](http://www.foss.dk)

